

ZA46JE-Li Parts Manual

ZOOMLION INTELLIGENT ACCESS MACHINERY CO.,LTD.

Add:Tengfei Road 997, Wangcheng District, Changsha, Hunan,PRC

Zip Code:410200

E-mail:awm@zoomlion.com

Tel:400-800-0157



ZOOMLION

ZOOMLION

ZA46JE-Li PARTS MANUAL

Standard

2021.12 Edition A

Foreword

Zoomlion appreciates your choice of our machine for your application. This manual must be read and understood in its entirety before operating the machine.

This manual introduces you parts assembly and significant technical specs in detail for working efficiency improving. Keep this manual properly at all times for looking up.

Do not attempt to service and repair the machine if you do not read and understand this manual. If there is any doubt, please consult local service team for troubleshooting. Zoomlion AWP Machinery Company does not take the consequence of wrong maintenance.

This manual should be considered a permanent part of your machine and should remain with the machine at all times. When transferring this machine, be sure to transfer this manual to the transferee.

The content is under intellectual property protection, permission is required for a copy or other application.

There might be some tiny differences in details between your machine and the upgraded one due to the continuous improving. For clarification, questions, or additional information regarding any portions of this manual, Contact Zoomlion AWP Machinery

Our company reserves the right to modify this manual as technical improvement without notice.

Thank you for your trust and support for Zoomlion products!

Zoomlion Intelligent Access Machinery Co.,Ltd.

Contents

Foreword	I
Contents	II
Chapter 1 Work Platform	1-1
Work Platform 0077340012000000.....	1-1
Chapter 2 Boom	2-1
Jib 0077340021000000.....	2-1
Upper Boom Assembly 0077340031000000	2-3
Chain System 0077340071000000	2-7
Tower Boom Assembly 0077340041000000	2-9
Chapter 3 Turntable	3-1
Turntable 0077340082000000	3-1
Hood 0077340111000000.....	3-5
Counterweight 0077340101000000.....	3-7
Slewing Mechanism 0077340090000000.....	3-9
Chapter 4 Chassis	4-1
Chassis 0077340283000000	4-1
Chapter 5 Power System	5-1
Power System Assembly 00773406250450000.....	5-1
Chapter 6 Hydraulic System	6-1
Hydraulic Tank Assembly 00773405210200000	6-1
Hydraulic Pump Assembly 00773405250400000	6-3
Steering Priority Valve Assembly 00773405215000000	6-5
High Pressure Filter Assembly 0077340521100000.....	6-7
High Pressure Filter Assembly 0077340521100000.....	6-9
Platform Select-valve Assembly 00773405211200000	6-11
Main Valve Assembly 00773405251600000	6-13
Telescopic Select-valve Assembly 00773405212400000	6-15
Lower Leveling Cylinder CBV Assembly 00773405212800000	6-17
Upper Leveling Cylinder CBV Assembly 00773405213000000.....	6-19

Contents

Jib Cylinder CBV Assembly 0077340521320000	6-21
Main Boom Cylinder CBV Assembly 0077340525340000.....	6-23
Tower Boom Cylinder CBV Assembly 0077340525360000.....	6-25
Telescopic Cylinder CBV Assembly 0077340521380000.....	6-27
Emergency Pump Assembly 0077340525520000	6-29
Chapter 7 Electrical System	7-1
Turntable Electrical Control Box Assembly 00773406230220001	7-1
Platform Electrical Control Box Assembly 00773406230210000.....	7-3
Turntable Electric Cables 00773406230230011	7-5
Boom Electric Cables 00773406230230031	7-7
Chassis Electric Cables 00773406250420000	7-9
Platform Electric Cables 00773406230440000 Chain Cables Change 00773406230610000	7-11

ZOOMLION

Parts Manual

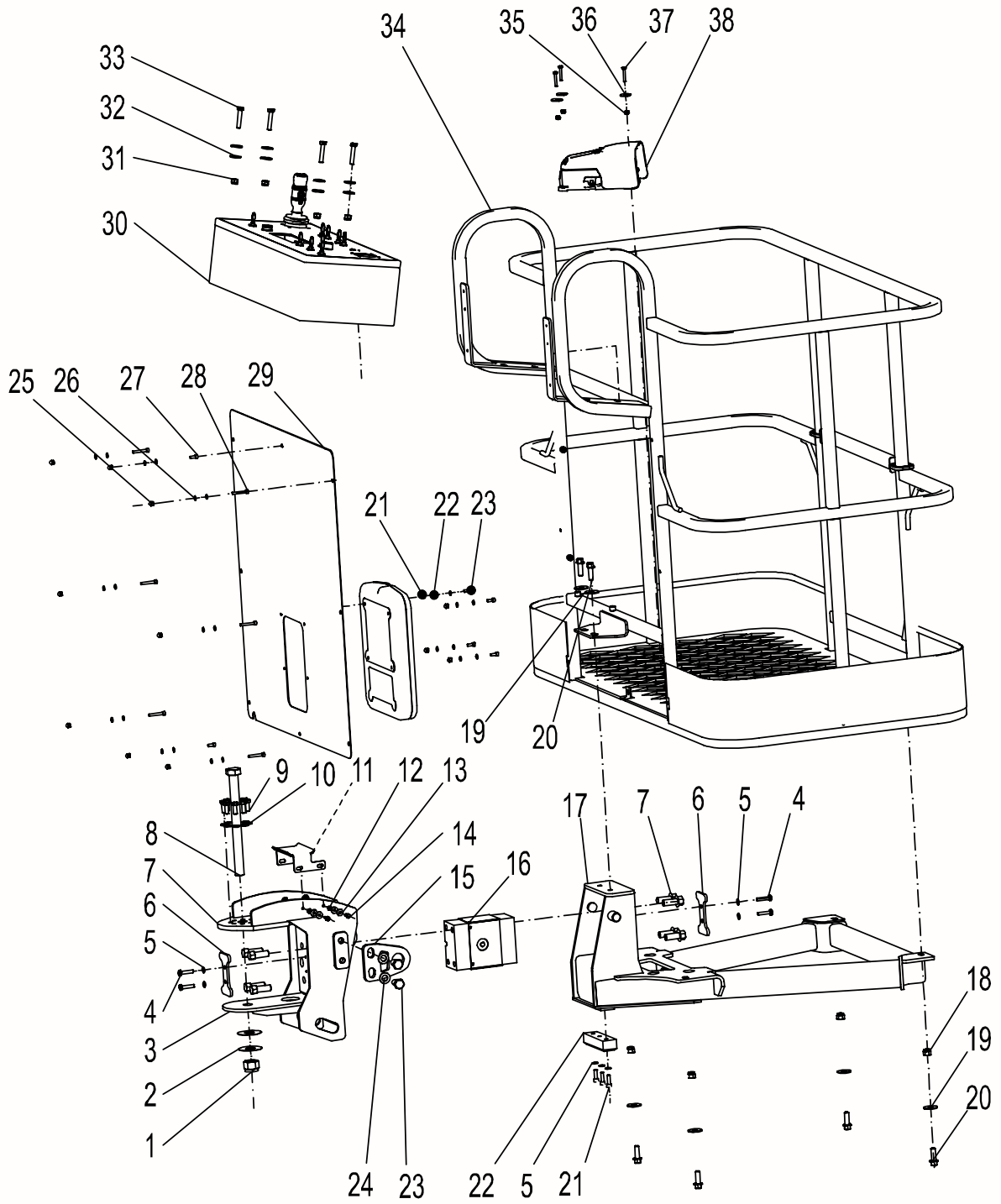
Section 1 Work Platform



Work Platform 0077340012000000

WORK
PLATFORM

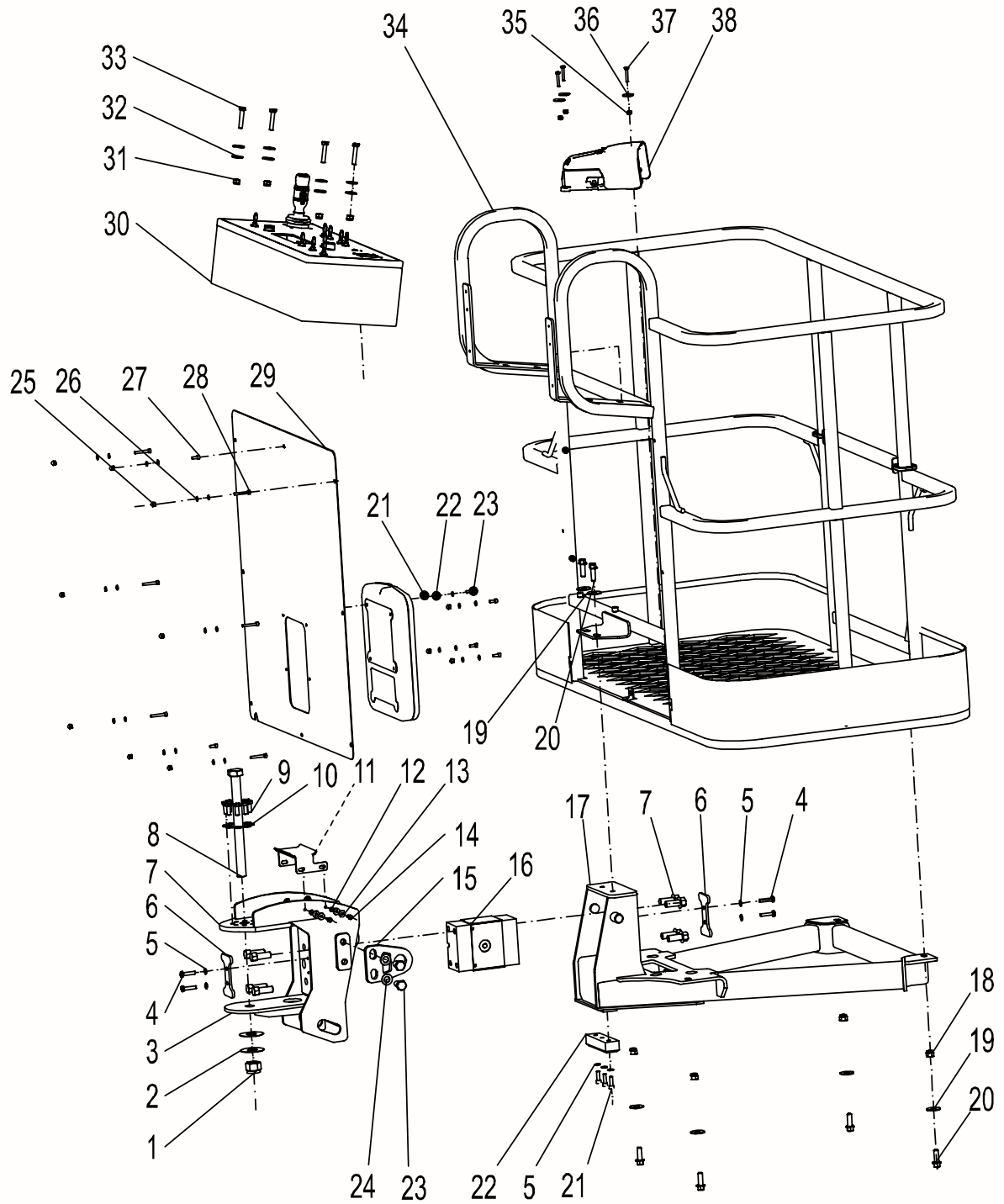
0077340012000000



Work Platform 0077340012000000

NO.	Material No.	Item and Spec	Qty	Remark
1	1040201111	Nut M24-10	1	GB/T889
2	00773400100401030	Adjusting shim	2	
3	00773400110410000	Transition seat	1	
4	1040004619	Bolt M8×35-8.8	4	GB/T5783
5	1040301515	Gasket 8-200HV	4	GB/T97.1
6	00773400100401020	Pressing plate	2	
7	1040004654	Bolt M16×1.5×40-10.9	8	GB/T5787
8	1040004505	Bolt M24×280-10.9	1	GB/T5782
9	1040004033	Bolt M10×25-10.9	8	GB/T5783
10	1040302489	Gasket 10-200HV	8	GB/T97.1
11	00773400110401050	Plate	1	
12	1040201865	Nut M6-8	4	GB/T6170
13	1040300735	Gasket 6-200HV	8	GB/T96.1
14	1040001631	Bolt M6×20-A2-70	4	GB/T5783
15	00773400110401010	Anti-drop plateII	2	
16	1021404016	Load cell	1	
17	007734001004 0	Tray weldment	1	
18	1040200507	Nut M12-8	4	GB/T889.1
19	1040302821	Gasket 12-200HV	6	GB/T96.1
20	1040004556	Bolt M12×35-8.8	6	GB/T16674.1
21	1040103112	Screw M8×25-8.8	3	GB/T70.1
22	00773400100401040	Cushion block	1	
23	1040003324	Bolt M16×30-10.9-DKL	4	GB/T5783
24	1040302492	Gasket 16-200HV	4	GB/T97.1
25	1040201902	Nut M6-6	12	GB/T802
26	1040300771	Gasket 6-200HV	24	GB/T97.1
27	1040102774	Screw M6×15-8.8	6	GB/T70.1
28	1040102773	Screw M6×40-8.8	6	GB/T70.1
29	00773400100201010	Dam-boardI	1	
30	00773406 10000	Platform electrical control box assembly	1	
31	1040200504	Nut M10-8	4	GB/T889.1
32	1040302512	Gasket 10-200HV	8	GB/T96.1
33	1040004509	Bolt M10×50-8.8	4	GB/T5783

Work Platform 0077340012000000



Work Platform 00773400120000000

NO.	Material No.	Item and Spec	Qty	Remark
34	00773400120210000	Platform weldment	1	
35	1040201896	Nut M6-8	3	GB/T889.1
36	00773406300201010	Spacer	3	
37	1040004553	Bolt M6×35-8.8	3	GB/T5783
38	1020521022	Foot switch	1	

ZOOMLION

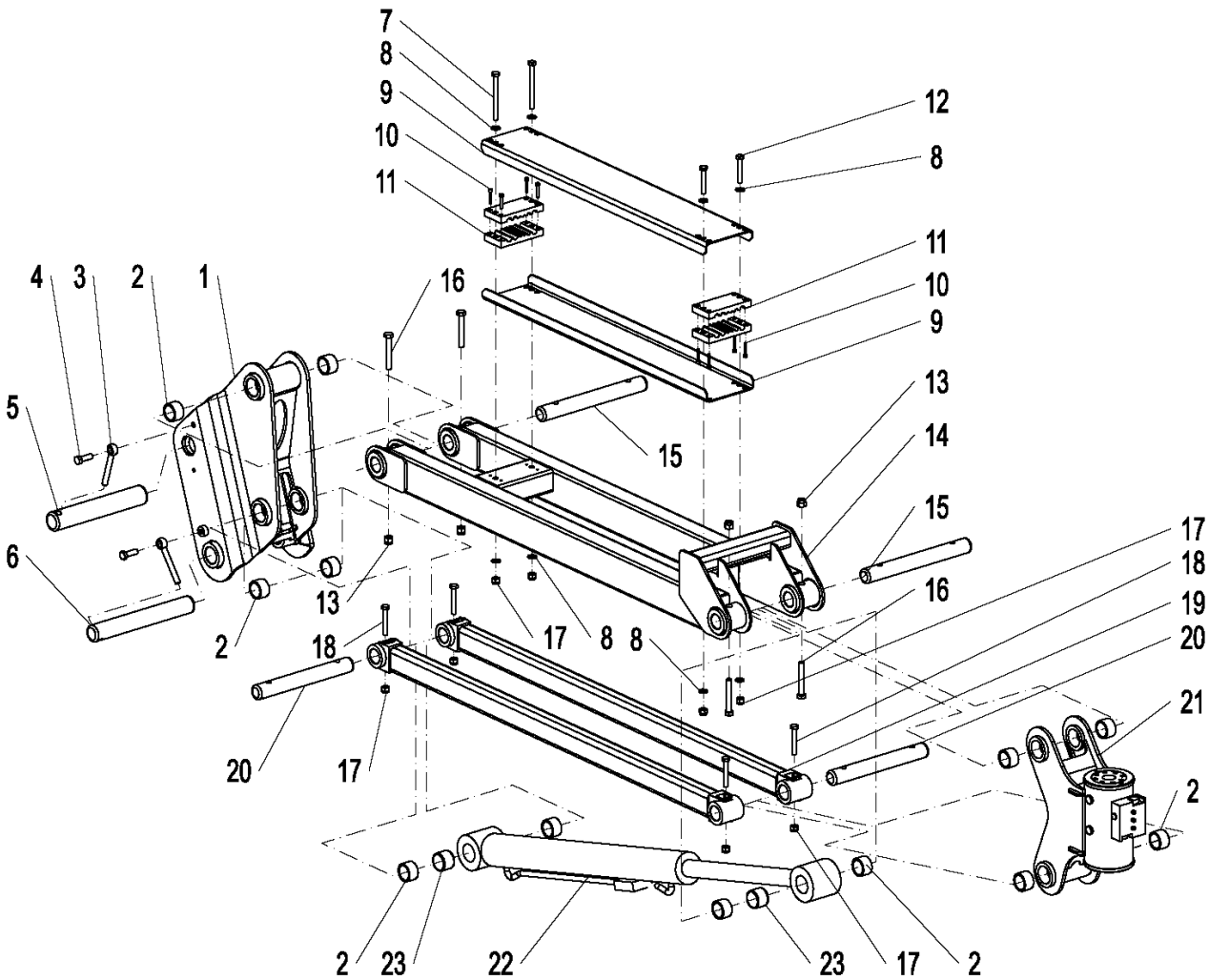
Parts Manual

Section 2 Boom



Jib 0077340021000000

BOOM

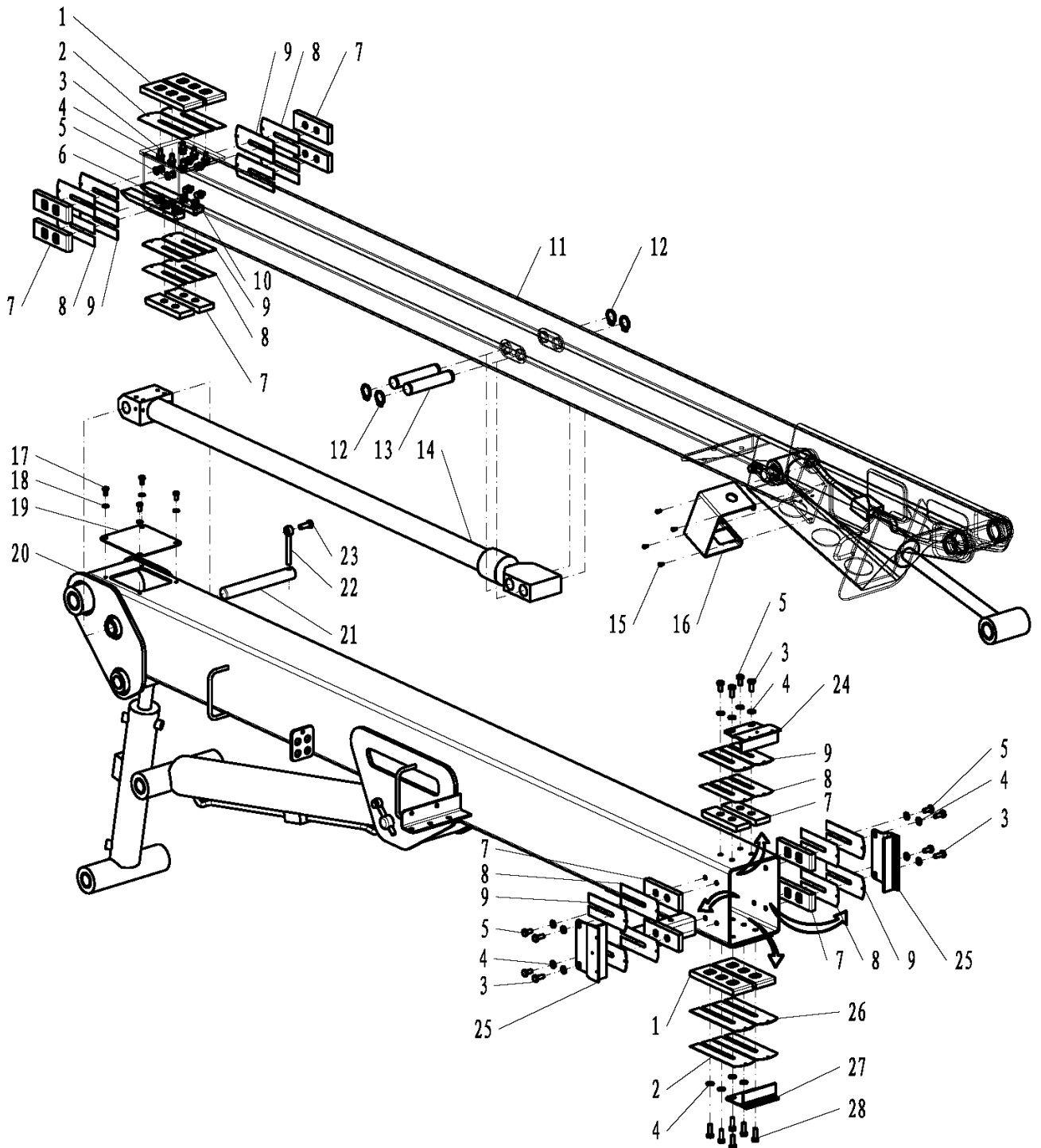


Jib 0077340021000000

NO.	Material No.	Item and Spec	Qty	Remark
1	00773400210200000	Support	1	
2	00773400200001010	Bearing	12	
3	00773400200001070	Stop pin	2	
4	1040002437	Bolt M12×35-8.8	2	GB/T5783
5	00773400200001060	Pin	1	
6	00773400200001050	Pin	1	
7	1040004658	Bolt M10×110-8.8	2	GB/T5782
8	1040302489	Gasket 10-200HV	8	GB/T97.1
9	00773400200001080	Pipeline backplate	2	
10	1040103106	Screw M5×30-8.8	8	GB/T70.1
11	00773400200001090	Pipeline neck	4	
12	1040004535	Bolt M10×60-8.8	2	GB/T5782
13	1040200507	Nut M12-8	4	GB/T889.1
14	00773400200400000	Linkage	1	
15	00773400200001030	Pin	2	
16	1040004657	Bolt M12×80-8.8	4	GB/T5782
17	1040200504	Nut M10-8	8	GB/T889.1
18	1040004656	Bolt M10×65-8.8	4	GB/T5782
19	00773400200600000	Linkage	2	
20	00773400200001040	Pin	2	
21	1010201471	Rotary actuator	1	L20-08-180
22	00773400201000000	Jib cylinder	1	
23	00773400200001100	Bushing	2	

Upper Boom Assembly 0077340031000000

BOOM

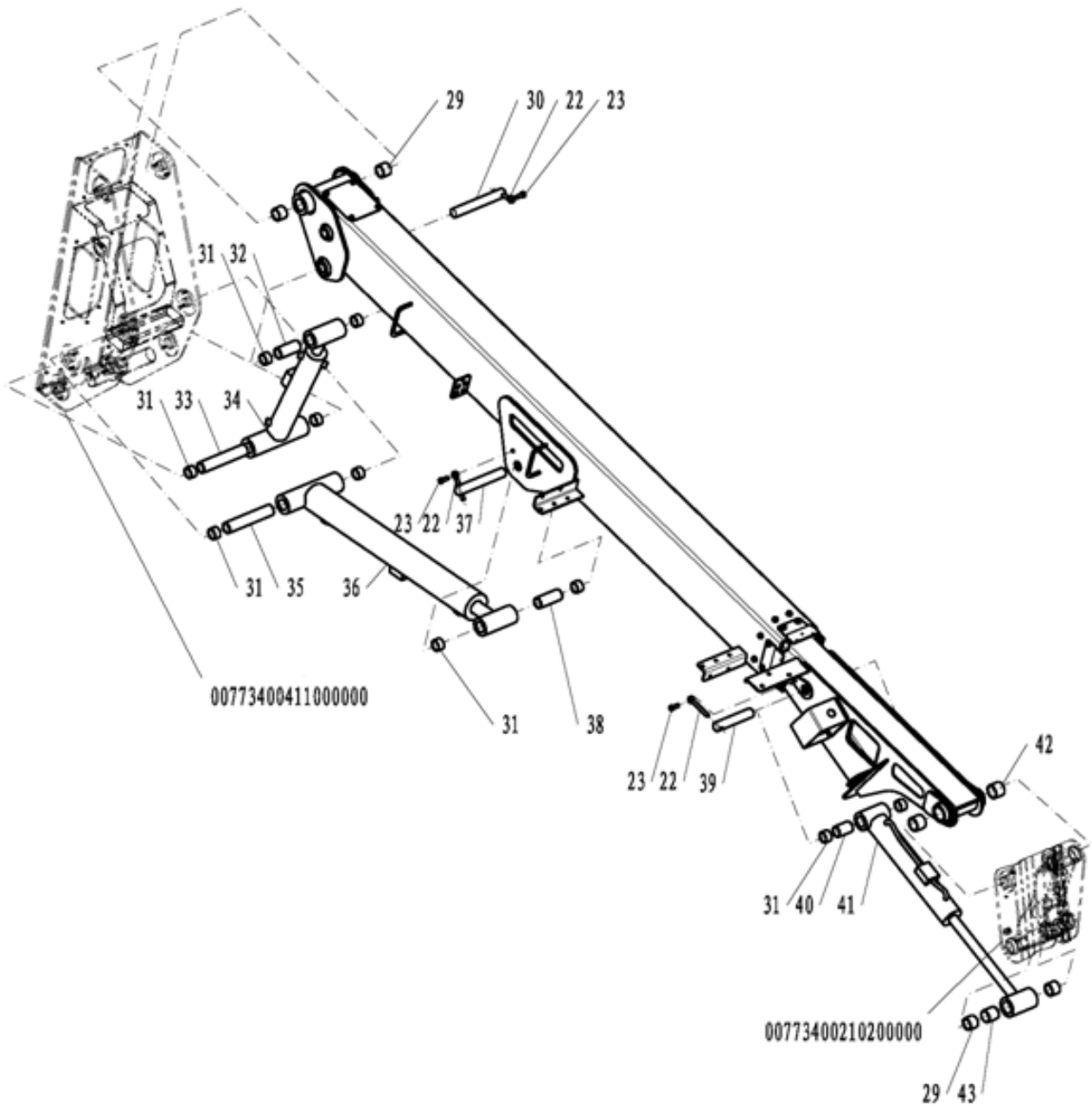


Upper Boom Assembly 00773400310000000

NO.	Material No.	Item and Spec	Qty	Remark
1	00771600301630000	Slider	4	
2	00771400301401020	Adjusting shim Tp1	4	
3	1040002434	Bolt M10×25-8.8	12	GB/T5783
4	1040302489	Gasket 10-200HV	34	GB/T97.1
5	1040002433	Bolt M10×20-8.8	14	GB/T5783
6	00773400310001240	Travel switch contact plate	2	
7	00773700302800000	Slider	12	
8	00773400300001150	Adjusting shim VITp0.5	12	
9	00773400300001130	Adjusting shim IVTp2	12	
10	1040002435	Bolt M10×35-8.8	4	GB/T5783
11	00773400310400000	Telescopic boom	1	
12	1040302506	Check ring 32	4	JB/ZQ4342
13	00773400310001020	Pin	2	
14	00773400311600000	Telescopic cylinder	1	
15	1040103038	Screw M5×10	4	GB/T70.1
16	00773400300001280	Platform select valve cover	1	
17	1040004517	Bolt M8×16-8.8	4	GB/T5783
18	1040301515	Gasket 8-200HV	4	GB/T97.1
19	00773400310001200	Small cover plate	1	
20	00773400310200000	Base boom	1	
21	00773400310001050	Pin V	1	
22	00773400200001070	Stop pin	4	
23	1040004511	Bolt M12×30-8.8	4	GB/T5783
24	00773400311200000	Dust-proof brush	1	
25	00773400311000000	Side brush	2	
26	00771400301401010	Adjusting shimTp2	2	
27	00773400312000000	Dust-proof brush	1	
28	1040004565	Bolt M10×30-8.8	6	GB/T5783

Upper Boom Assembly 0077340031000000

BOOM

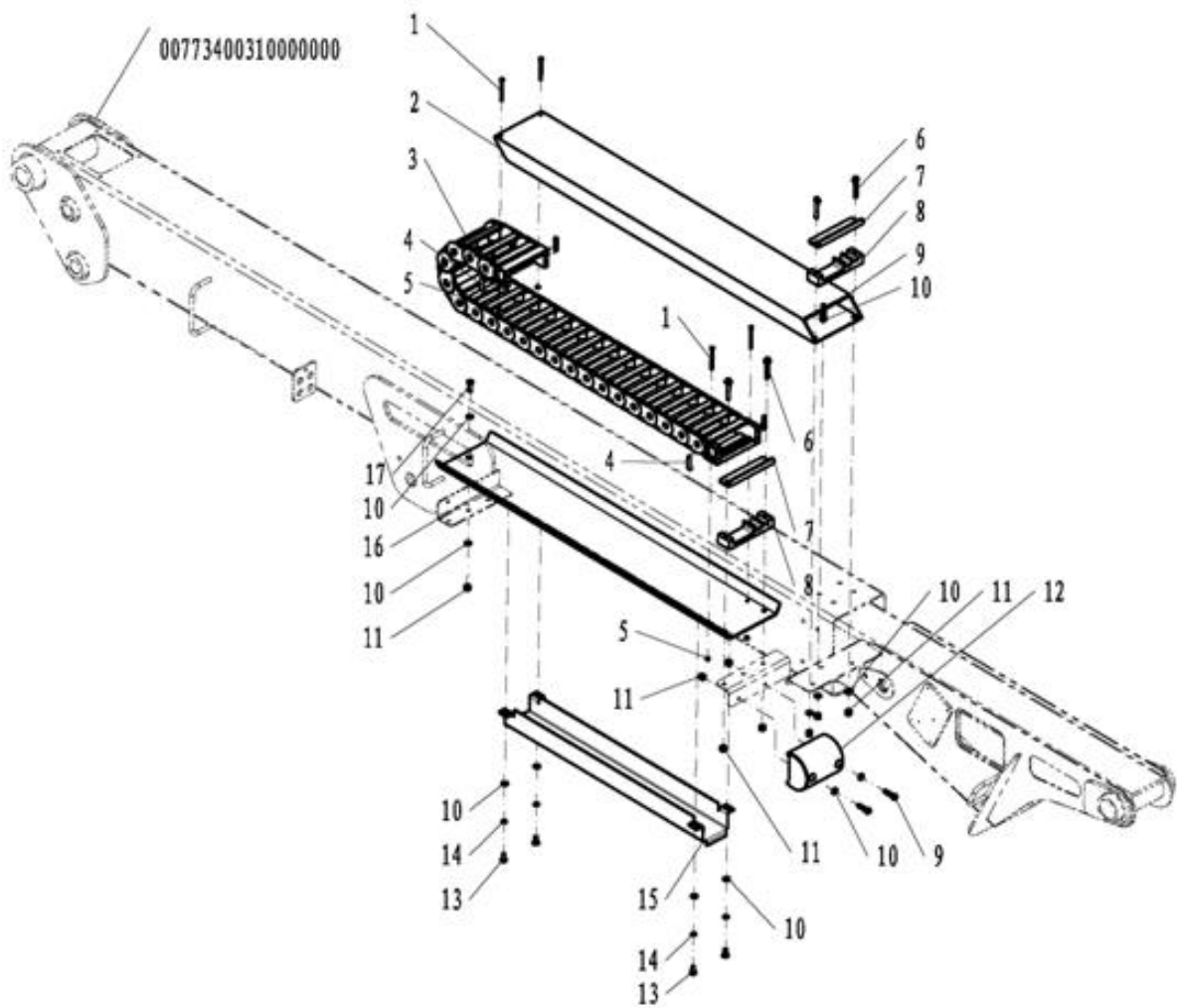


Upper Boom Assembly 00773400310000000

NO.	Material No.	Item and Spec	Qty	Remark
29	00773400300001210	Bearing	4	
30	00773400310001130	Pin	1	
31	00773400200001010	Bearing	10	
32	00773400310001090	Bushing IV	1	
33	00773400310001100	Bushing V	1	
34	00773400310600000	Leveling cylinder	1	
35	00773400310001080	Bushing III	1	
36	00773400310800000	Lifting cylinder	1	
37	00773400310001140	Pin	1	
38	00773400310001070	Bushing II	1	
39	00773400310001010	Pin	1	
40	00773400310001060	Bushing I	1	
41	00773400311400000	Leveling cylinder	1	
42	00773400300001050	Bearing	2	
43	00773400300001060	Bushing	1	

Chain System 0077340071000000

BOOM

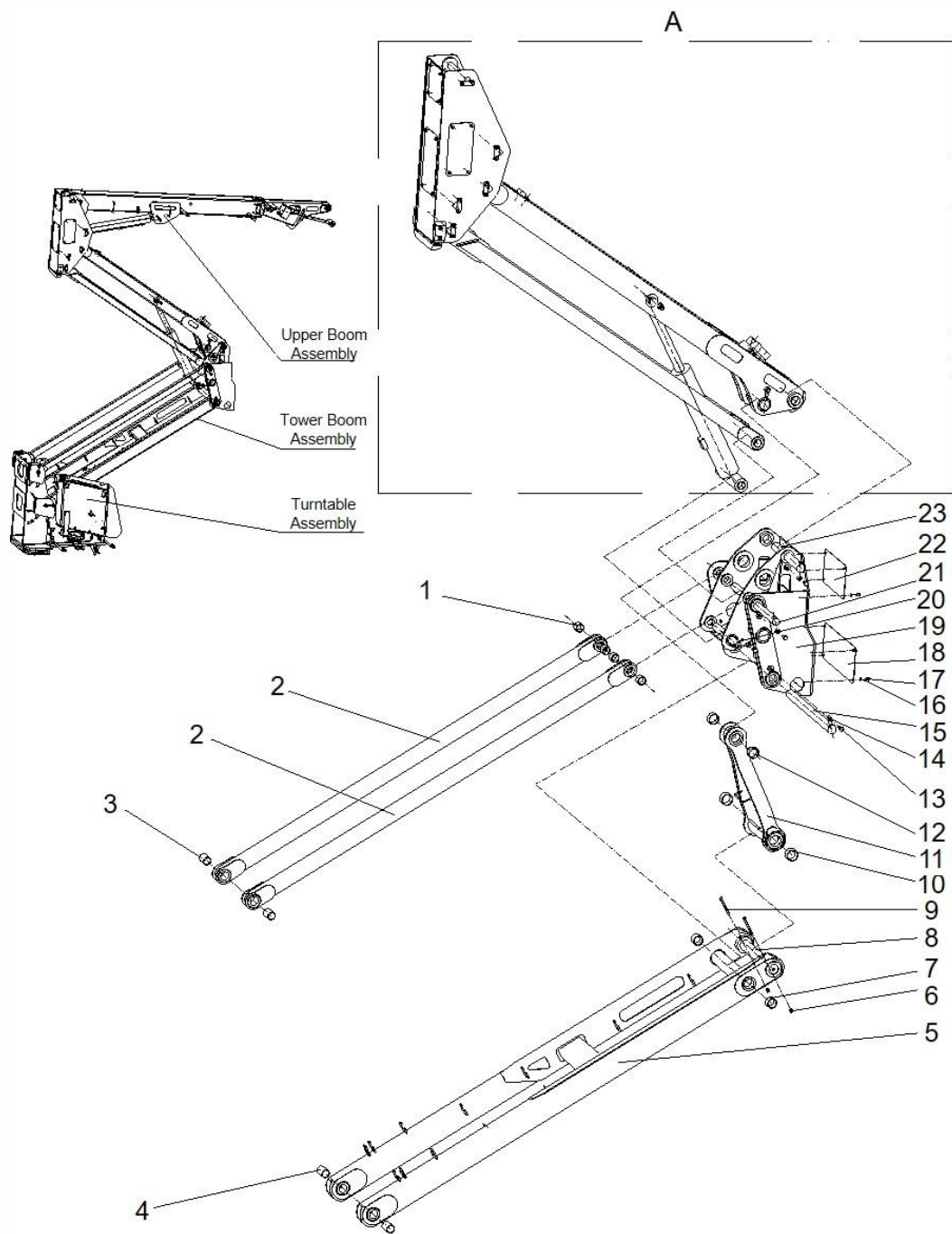


Chain System 0077340071000000

NO.	Material No.	Item and Spec	Qty	Remark
1	1040004670	Bolt M5×60-8.8	4	GB/T5782
2	00773400710001010	Rectangle tube	1	
3	00773400700001080	Chain mechanism	1	
3A	1109900992	Cable cross-bar 27000.12	20	
3B	1109900994	Cable shim 35.1	50	
3C	1109900996	links section body 2700.12.075.0	20	
3D	1109900997	Connector link hole 26101.12.C.1	1	
3E	1109900998	Connector link pin 26101.12.C.2	1	
4	00773400700001060	Pipe-jacking	4	
5	1040200574	Nut M5-8	4	GB/T6170
6	1040004557	Bolt M8×50-8.8	4	GB/T16674.1
7	00773400700001050	Bending plate	2	
8	00773400700001020	Hose holder	2	
9	1040102737	Screw M8×30-8.8	3	GB/T70.1
10	1040301515	Gasket 8-200HV	12	GB/T97.1
11	1040200503	Nut M8-8	8	GB/T889.1
12	00773400700001030	Nylon block	1	
13	1040004517	Bolt M8×16-8.8	4	GB/T5783
14	1040301510	Gasket 8	4	GB/T93
15	00773400700001040	Tube slot	1	
16	00773400700400000	Tray	1	
17	1040004519	Bolt M8×25-8.8	1	GB/T5783

Tower Boom Assembly 0077340041000000

BOOM

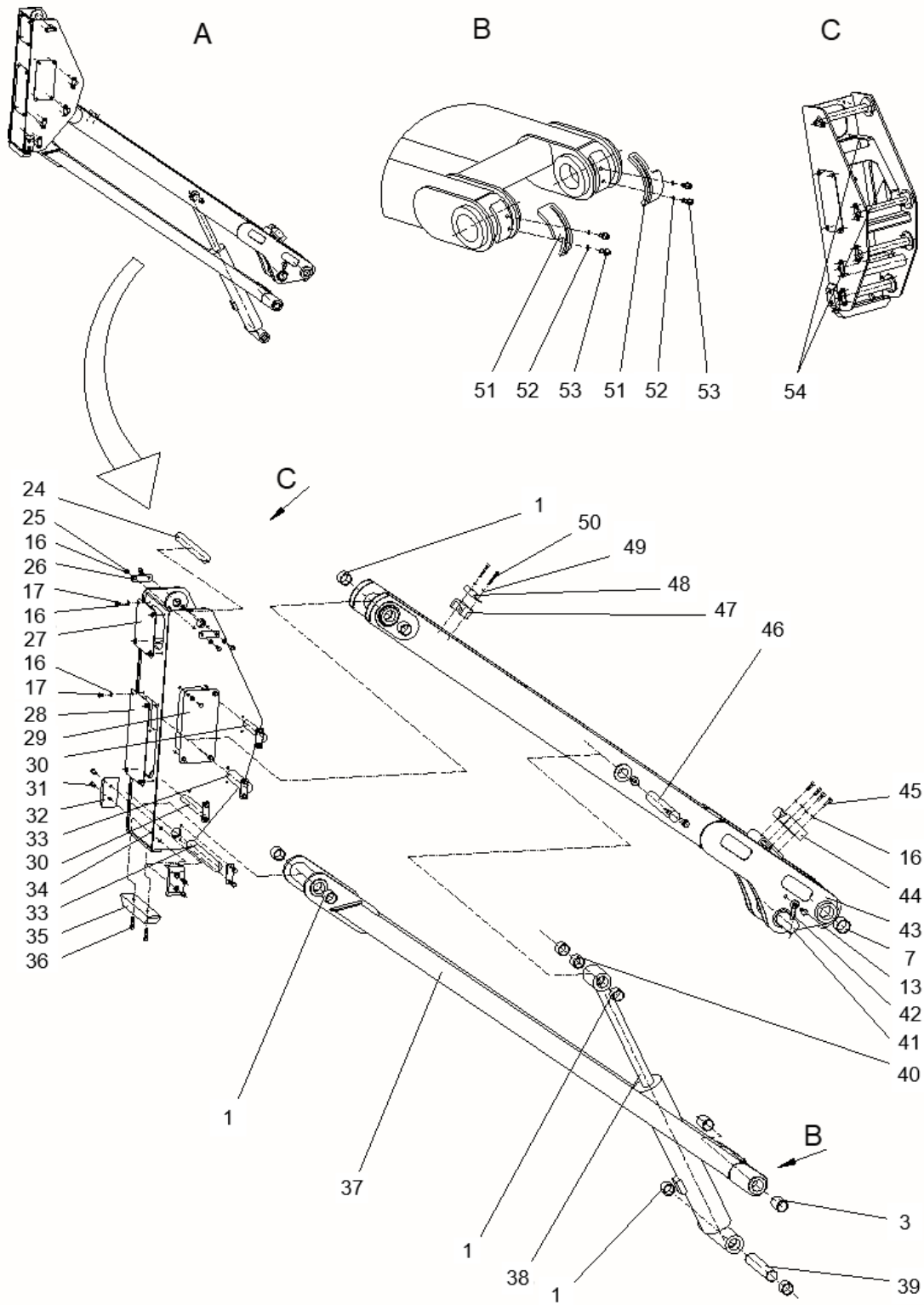


Tower Boom Assembly 00773400410000000

NO.	Material No.	Item and Spec	Qty	Remark
1	00773400300001050	Bearing	12	
2	00773400410400000	Linkage II	2	
3	00773400410001150	Bearing	4	
4	00773400410001140	Bearing	2	
5	00773400410200000	Linkage I	1	
6	1040200507	Nut M12-8	2	GB/T889.1
7	00773400400001130	Bearing	4	
8	00773400410001120	PinA9	1	
9	1040005888	Bolt M12×120-10.9	2	GB/T5782
10	00771400600001070	Self-lubricating Bearing	2	
11	00773400411400000	Pull rod	1	
12	0077340040001130	Bearing	2	
13	1040004570	Bolt M16×30-8.8	6	GB/T5783
14	0077340040001250	Stop pin	5	
15	00773400410001100	Pin A7	1	
16	1040302489	Gasket 10-200HV	48	GB/T97.1
17	1040004646	Bolt M10×15-8.8	24	GB/T5783
18	00773400410001220	Sealing plate III	1	
19	00773400411200000	Upright	1	
20	00773400410001080	Pin A5	1	
21	00773400410001090	Pin A6	1	
22	00773400410001210	Sealing plate II	1	
23	00773400410001070	Pin A4	1	

Tower Boom Assembly 0077340041000000

BOOM



Tower Boom Assembly 00773400410000000

NO.	Material No.	Item and Spec	Qty	Remark
24	00773400410001060	Pin A3	1	
25	1040002433	Bolt M10×20-8.8	20	GB/T5783
26	00773400410001180	Sam-board	10	
27	00773400400001300	Small cover plate	1	
28	00773400410001200	Sealing plate I	1	
29	00773400410001290	Sealing plate IV	2	
30	00773400410001170	PinA10	2	
31	1040103140	Screw M12×25-8.8	4	GB/T70.1
32	00773400410001190	Slider	2	
33	00773400410001040	Pin A1	2	
34	00773400411000000	Upright	1	
35	00773400410001020	Upright guide block	1	
36	1040101494	Screw M12×40-8.8	2	GB/T70.1
37	00773400410600000	Linkage III	1	
38	00773400411600000	Lifting cylinder	1	
39	00773400410001270	Bushing	1	
40	00773400410001260	Bushing	1	
41	00773400410001110	Pin A8	1	
42	00773400410001230	Stop pin	1	
43	00773400410800000	Linkage IV		
44	00773400410001010	Buffer plate	2	
45	1040101995	Screw M10×30-8.8	4	GB/T70.1
46	00773400410001160	Pin	1	
47	00773400410001300	Clip	1	
48	00773400410001310	Pressing plate	1	
49	1040301515	Gasket 8-200HV	2	GB/T97.1
50	1040102739	Screw M8×60-8.8	2	GB/T70.1
51	00773400410001280	Mounting plate	2	
52	1040300771	Gasket 6-200HV	4	GB/T97.1
53	1040102774	Screw M6×15-8.8	4	GB/T97.1
54	1990300400	U type tape	2	

ZOOMLION

Parts Manual

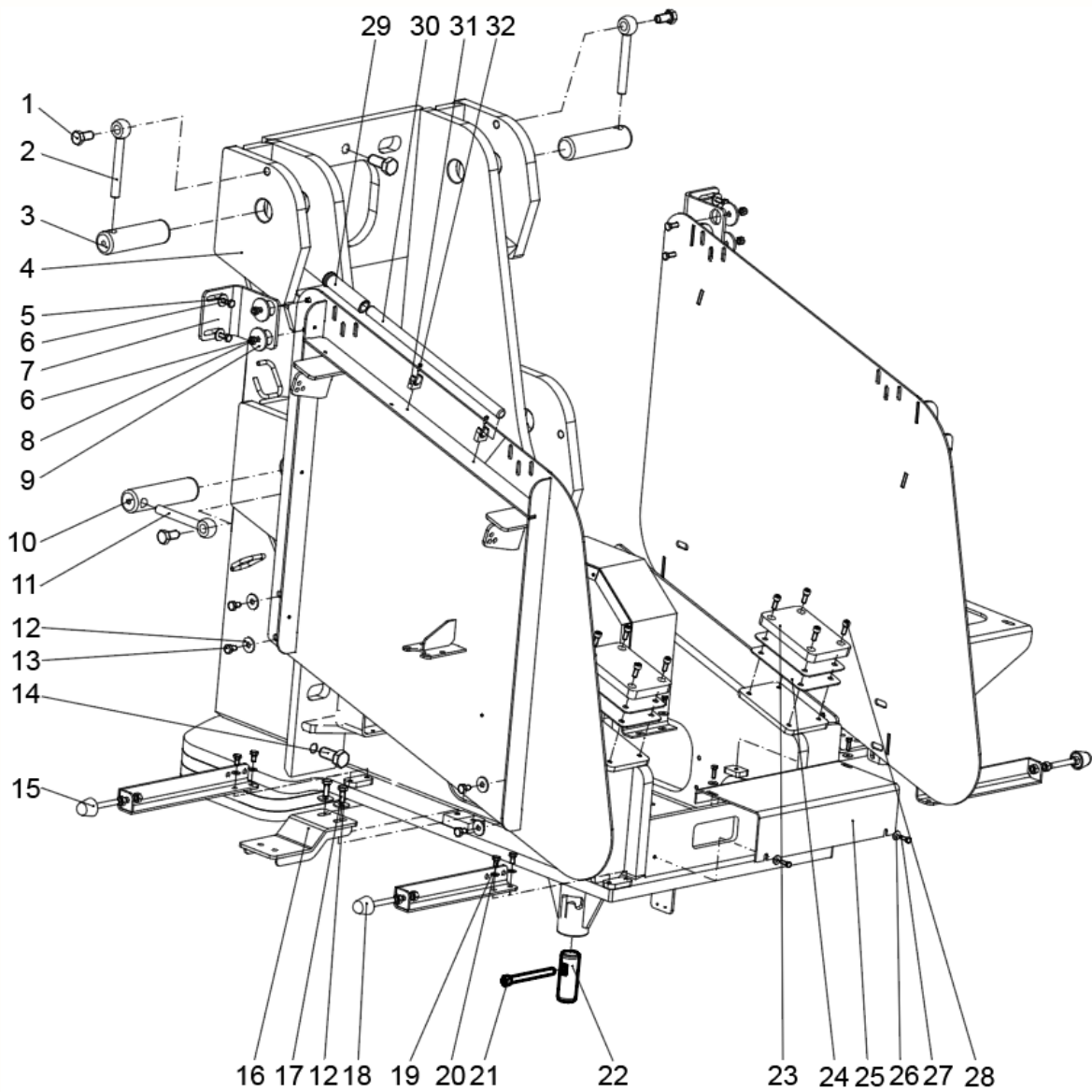
Section 3 Turntable



Turntable 0077340082000000

回转平台

TURNTABLE



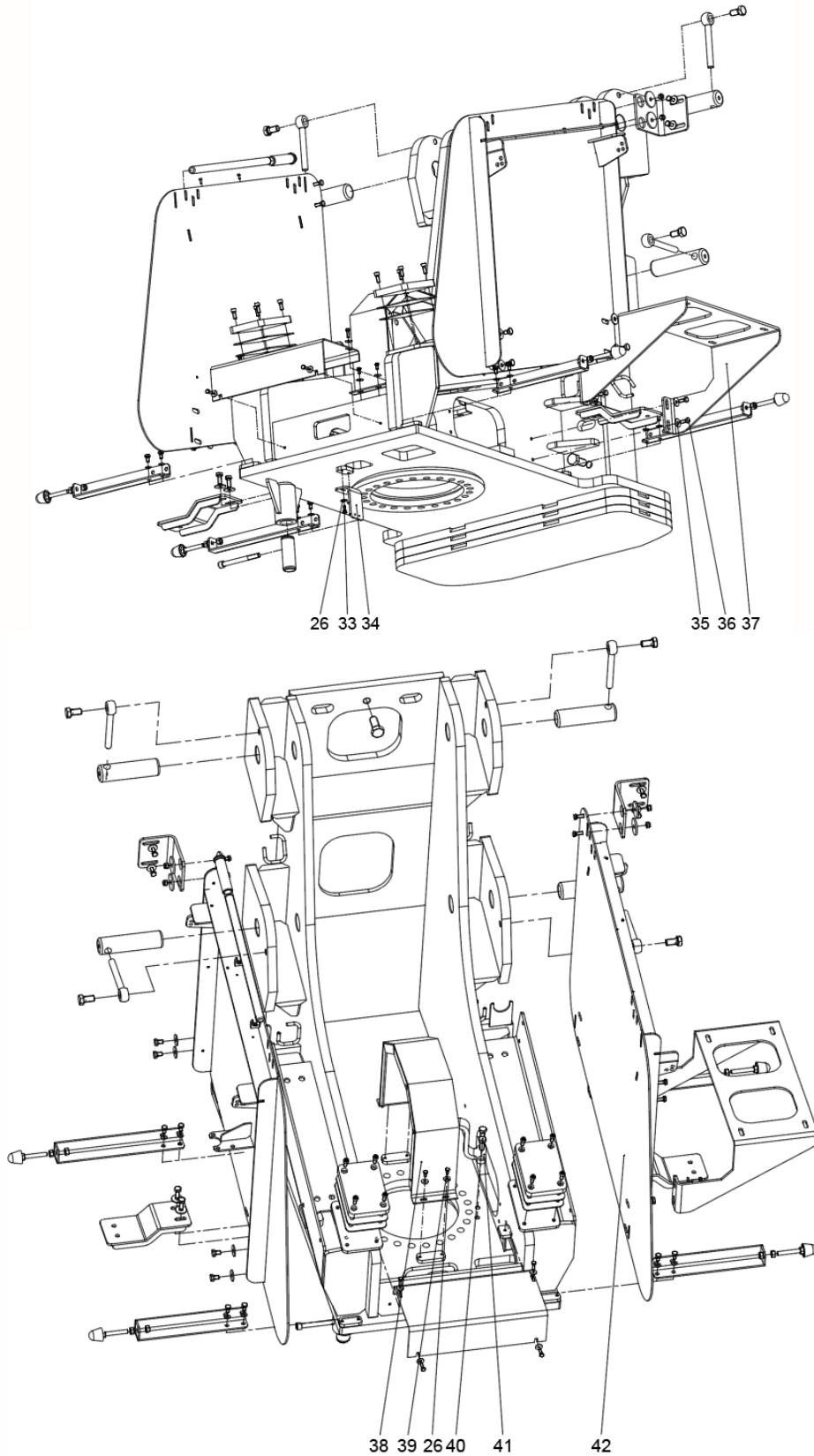
Turntable 0077340082000000

NO.	Material No.	Item and Spec	Qty	Remark
1	1040004570	Bolt M16×30-8.8	4	GB/T5783
2	00773400410001230	Stop pin	2	
3	00773400820001070	Axle I	2	
4	00773400820200000	Turntable structure	1	
5	1040302480	Gasket 8-200HV	8	GB/T96.1
6	1040004520	Bolt M8×30-8.8	8	GB/T5783
7	00773400820001120	Bending plate	2	
8	1040200503	Nut M8-8	4	GB/T889.1
9	00773400820001130	Gasket	4	
10	00773400820001080	Axle II	2	
11	00773400410001230	Stop pin	2	
12	1040302512	Gasket 10-200HV	12	GB/T96.1
13	1040004646	Bolt M10×15-8.8	8	GB/T5783
14	1040004499	Bolt M20×45-8.8	3	GB/T5783
15	00773400821200000	Door stop mounting II	2	
16	00773400820800000	Support	2	
17	1040002434	Bolt M10×25-8.8	4	GB/T5783
18	00773400821000000	Door stop mounting I	2	
19	1040301515	Gasket 8-200HV	8	GB/T97.1
20	1040004590	Bolt M8×14-8.8	8	GB/T5783
21	1040100714	Screw M12×130-8.8	1	GB/T70.1
22	00773400820001010	Lock pin	1	
23	00773400820001040	Cushion pad	2	
24	00773400820001090	Adjusting pad	4	
25	00773400820001100	Front plate	1	
26	1040300735	Gasket 6-200HV	10	GB/T96.1
27	1040001631	Bolt M6×20-8.8	4	GB/T5783
28	1040003252	Hexagon socket head cap screw M8×20-12.9	8	GB/T70.1
29	00773700810801010	Handle sleeve	1	
30	00773700810801020	Rod	1	
31	00773700810001050	Shelves	2	
32	1040101846	Screw M4×10-8.8	2	GB/T70.1

Turntable 0077340082000000

回转平台

TURNTABLE



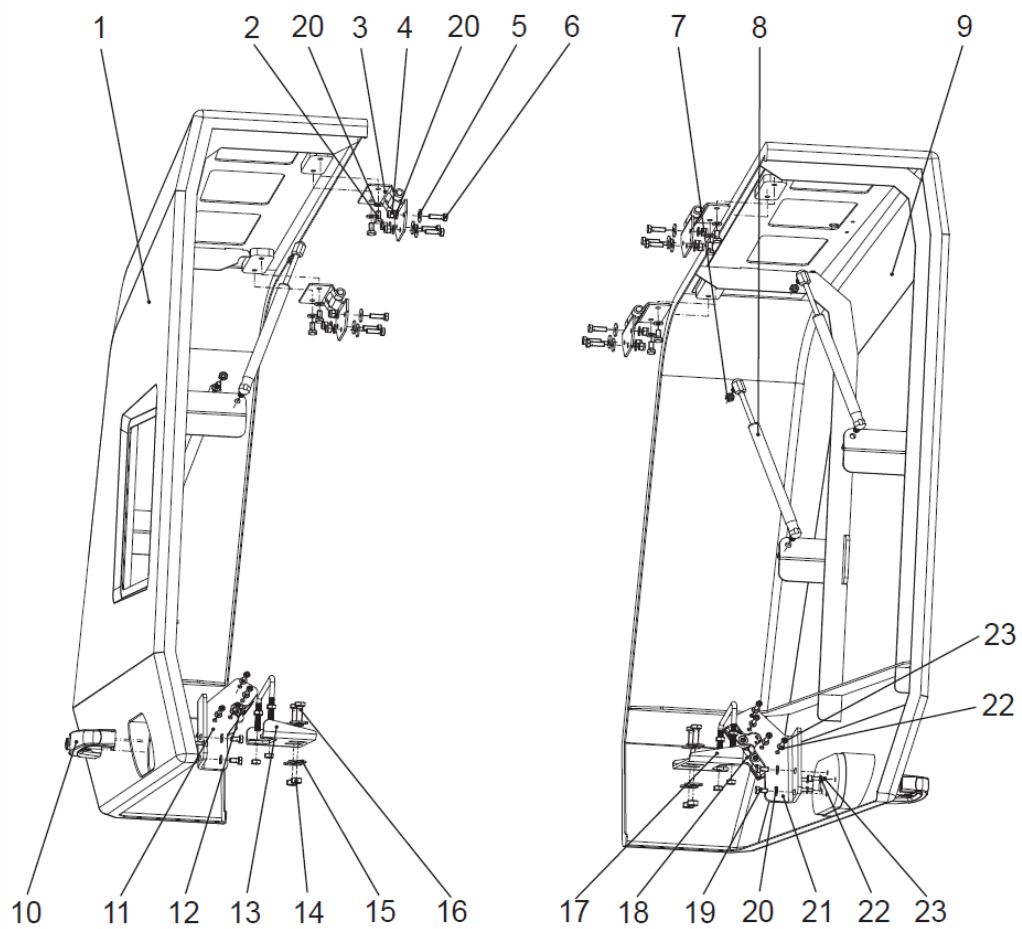
Turntable 0077340082000000

NO.	Material No.	Item and Spec	Qty	Remark
33	1040002555	Bolt M6×16-70	2	GB/T5783
34	00773400820001030	Rotary limit switch	1	GB/T96.1
35	1040302480	Gasket 8-200HV	8	GB/T96.1
36	1040004518	Bolt M8×20-8.8	4	GB/T5783
37	00773400820001020	Electric control cabinet seat	1	
38	00773400820600000	Slip ring cover	1	
39	1040002738	Bolt M6×12-8.8	4	GB/T5783
40	1040004511	Bolt M12×30-8.8	2	GB/T5783
41	00773400821800000	Support	1	

Hood 0077340111000000

回转斗盖

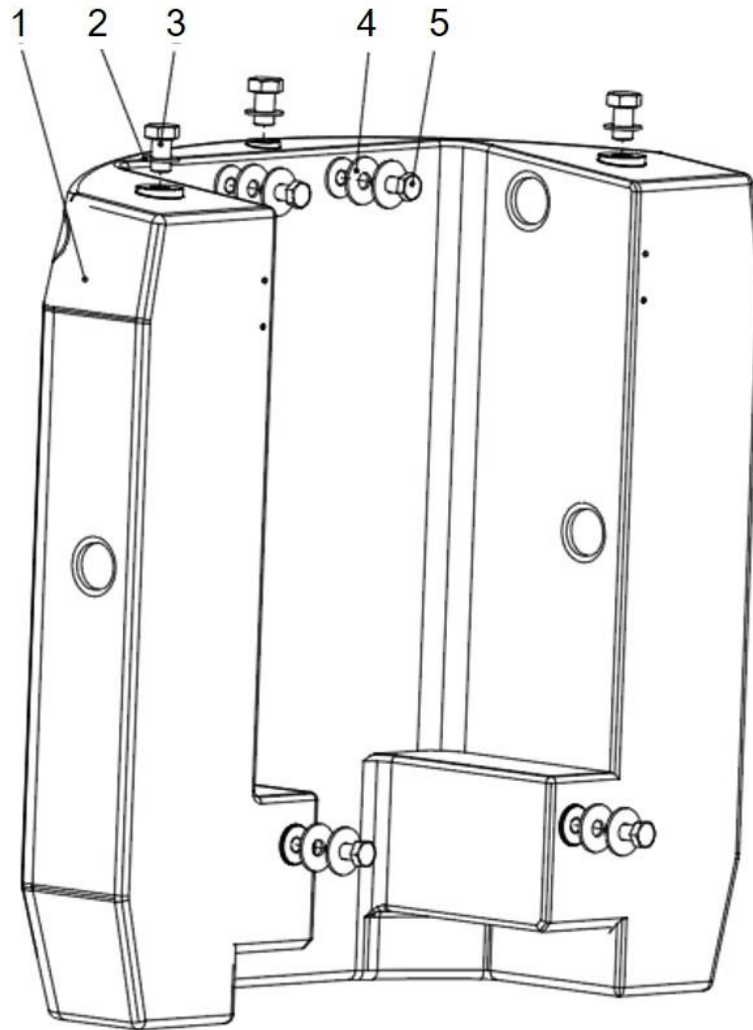
TURNABLE



Hood 0077340111000000

NO.	Material No.	Item and Spec	Qty	Remark
1	00773401110600000	Hood weldment	1	
2	1040004517	Bolt M8×16-8.8	8	GB/T5783
3	1101000089	Hinge	4	
4	1040200503	Nut M8-8	12	GB/T889.1
5	1040302480	Gasket 8-200HV	12	GB/T96.1
6	1040004519	Bolt M8×25-8.8	12	GB/T5783
7	1040201089	Nut M8-8	16	GB/T6170
8	1110100355	Gas spring	4	
9	00773401110800000	Hood weldment	1	
10	1100700163	Door knob	2	
11	00773401110001030	Lock seat	1	
12	1109900778	Door lock	1	
13	00773401110400000	Lock seat	1	
14	1040200113	Nut M10-8	4	GB/T6170
15	1040302512	Gasket 10-200HV	8	GB/T96.1
16	1040004565	Bolt M10×30-8.8	4	GB/T5783
17	00773401110200000	Lock seat	1	
18	1109900779	Door lock	1	
19	1040004590	Bolt M8×14-8.8	4	GB/T5783
20	1040301515	Gasket 8-200HV	24	GB/T97.1
21	00773401110001010	Lock seat	1	
22	1040300771	Gasket 6-200HV	14	GB/T97.1
23	1040100105	Screw M6×25-8.8	14	GB/T70.1

Counterweight 0077340101000000



TURNABLE

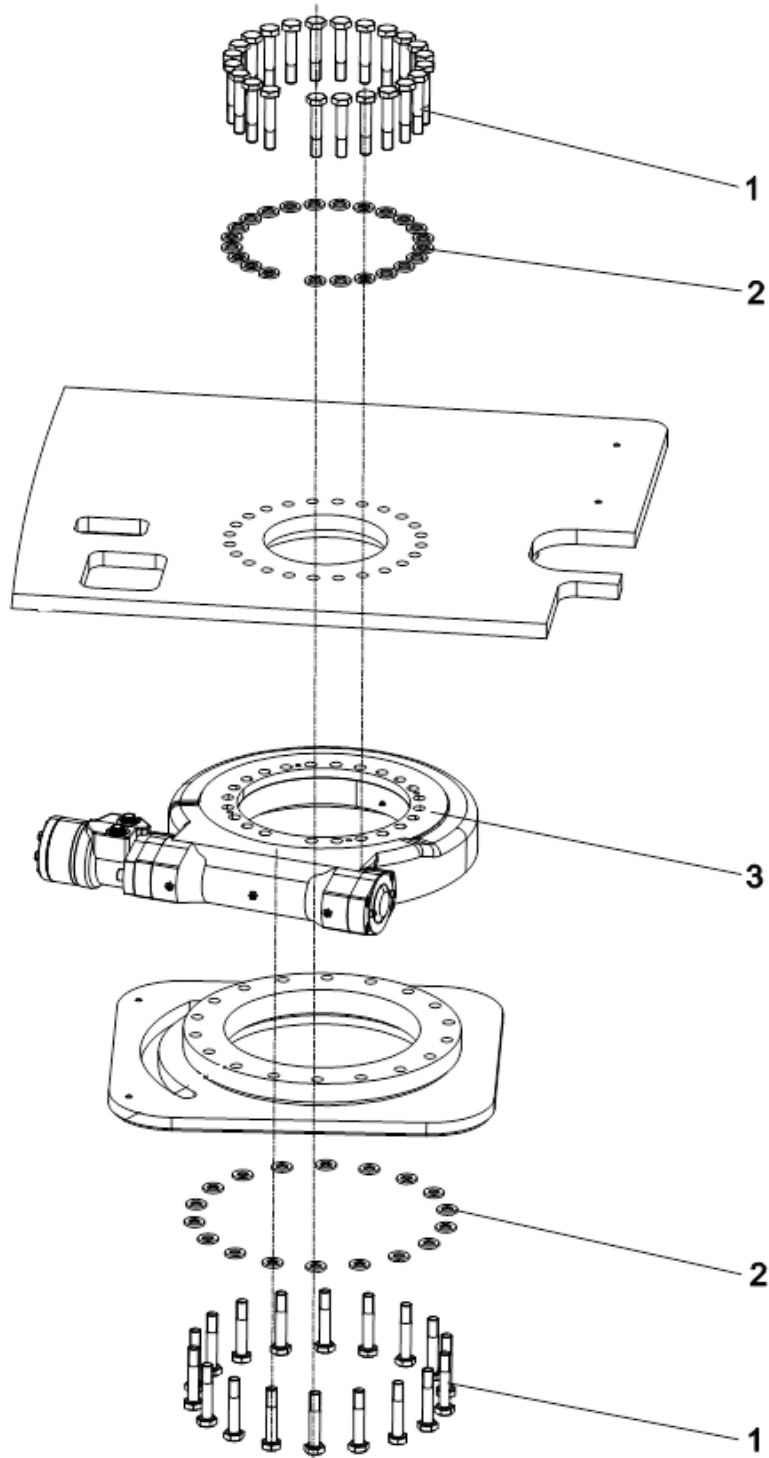
Counterweight 00773401010000000

NO.	Material No.	Item and Spec	Qty	Remark
1	00773401010001010	Counterweight block	1	
2	1040301513	Gasket 30-200HV	3	GB/T5783
3	1040004500	Bolt M30×50-8.8	3	GB/T5783
4	1040302483	Gasket 24-200HV	8	GB/T96.1
5	1040004613	Bolt M24×60-10.9	4	GB/T5782

Slewing Mechanism 0077340090000000

回转支承

TURNABLE



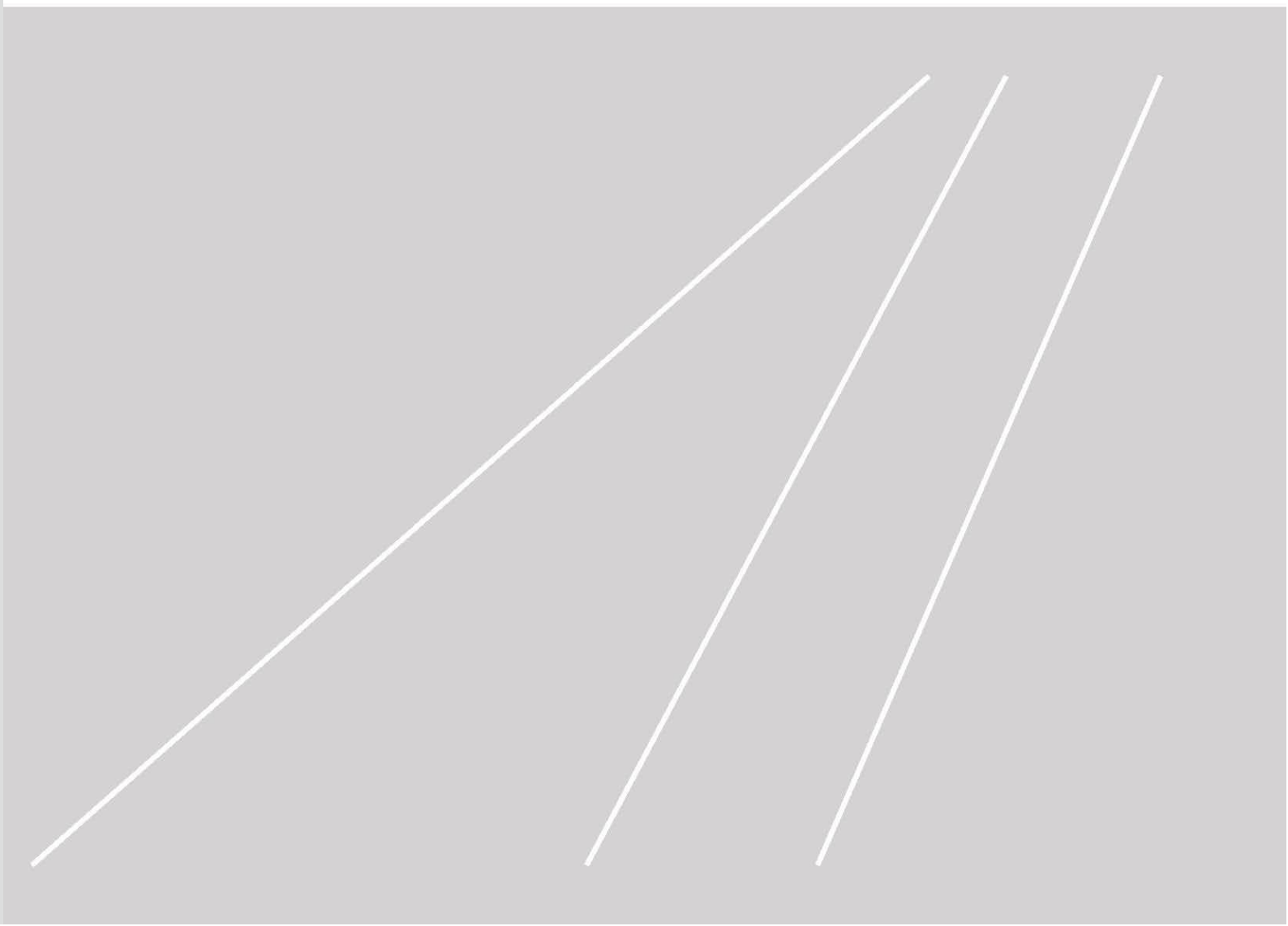
Slewing Mechanism 00773400900000000

NO.	Material No.	Item and Spec	Qty	Remark
1	1040000698	Bolt M16×90-10.9	41	GB/T1228
2	1040300186	Gasket 16	41	GB/T1230
3	1030202173	Slewing reducer	1	

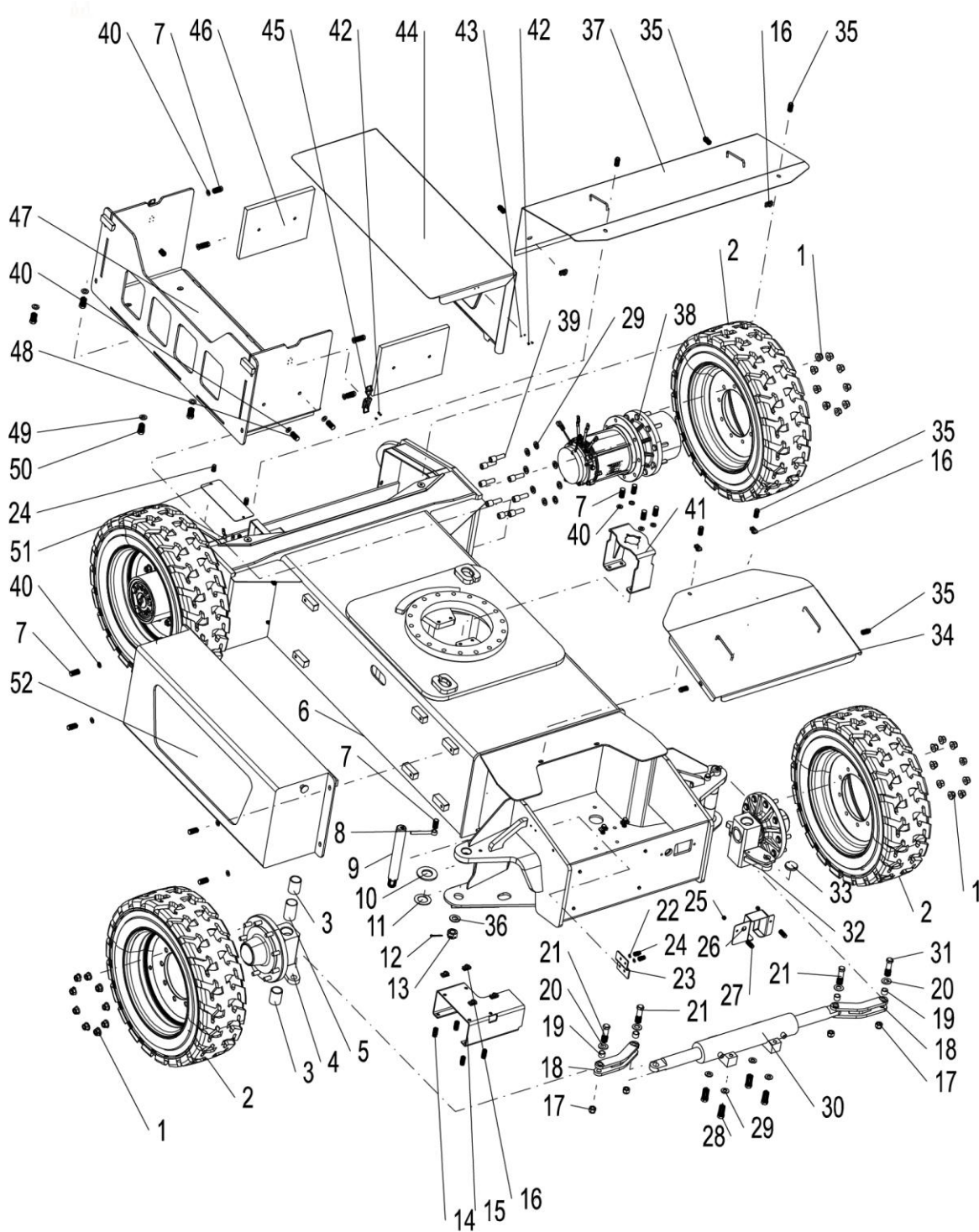
ZOOMLION

高空作业平台零部件图册

第四章 底盘



Chassis 0077340283000000

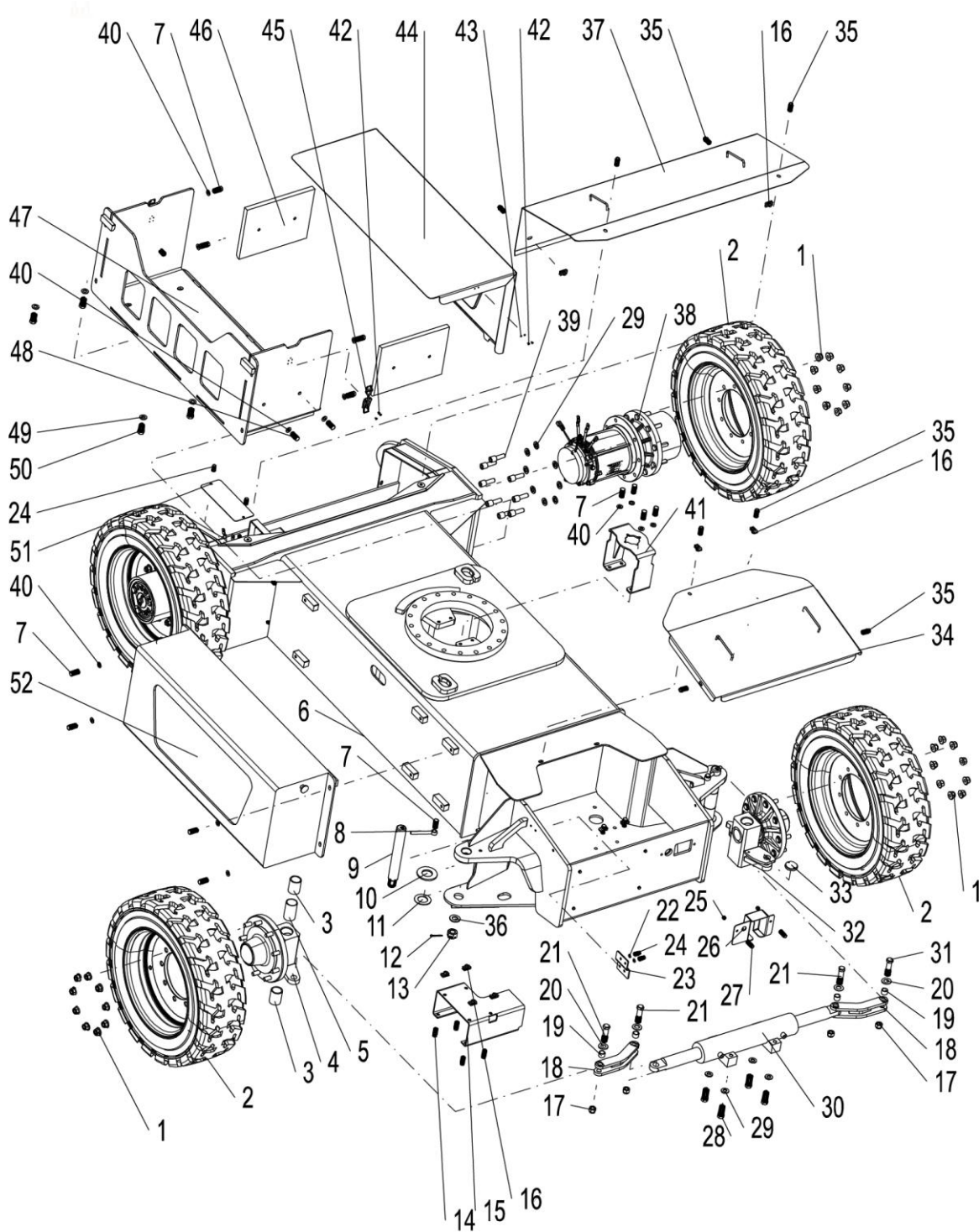


底盘

Chassis 0077340283000000

No.	Material No.	Item and Spec	Unit	Note
1	1040202296	Nut 5/8-18UNF-10 (Spiralock)	36	ANSIB18.2.2
2	1030800654	Tire IN240/55D17.5	4	
3	00773402820001110	Bearing	4	
4	00773402820800000	Hub assembly- right steering knuckle	1	
5	00773402820001120	Spacer bush	2	
6	00773402820400000	Frame welds	1	
7	1040004653	Bolt M12×30-10.9	14	GB/T5783
8	00773400200001070	Stop pin	2	
9	00773402820001070	Main pin- steering knuckle	2	
10	00773402800001110	Gasket- steering knuckle	2	
11	00773402800001270	Washer- steering knuckle pin	2	
12	1040500394	Open pin 5×40	2	GB/T91
13	1040202280	Nut M24-05-DKL	2	GB/T6181
14	1040000090	Bolt M10×30-8.8	4	GB/T5783
15	00773402820001050	Motor bracket	1	
16	1040201860	Nut M10	8	QC/T608-2011
17	1040200161	Nut M16-8	4	GB/T889
18	00773402822000000	Steering pull rod I	2	
19	00773402800001260	Bearing	4	
20	00773402820001030	Steering pull rod gasket	4	
21	00773402820001080	Steering pin	3	
22	1040301515	Washer 8-200HV	6	GB/T97.1-2002
23	00773402820001020	Steering valve bracket	1	
24	1040004518	Bolt M8×20-8.8	10	GB/T5783
25	1040200503	Nut M8-8	2	GB/T889.1
26	00773402820001090	Charging port- protective box	1	
27	1040004520	Bolt M8×30-8.8	10	GB/T5783
28	1040004496	Bolt M16×45-10.9	4	GB/T5783
29	1040302817	Washer 16-DKL	20	GB/T1230-1991
30	00773402821800000	Steering cylinder	1	
31	00773402820001100	Steering pin II	1	
32	00773402820600000	Hub assembly- left steering knuckle	1	

Chassis 0077340283000000



底盘

Chassis 0077340283000000

No.	Material No.	Item and Spec	Unit	Note
33	00773402820001060	Angle sensor protective hood	4	
34	00773402820001130	Front cover	1	
35	1040005831	Bolt M10×25-DKL	8	GB/T5789
36	00773402830001120	Chassis counterweight II	1	
37	00773402820001140	Rear cover	1	
38	1030202344	Reducer motor assembly	2	
39	1040004649	Screw 5/8-11UNC×45-10.9	16	ANSIB18.3
40	1040302490	Washer 12-200HV	4	GB/T97.1
41	00773402822400000	Centre revolving joint- bracket welds	1	
42	1040102429	Screw M4×8	10	GB/T70.3
43	1040201772	Nut M4-A2-70	4	GB/T6170
44	00773402821020000	Battery package cover	2	
45	1101000164	Metal lock	2	
46	00773402831001012	Li-ion battery counterweight	2	
47	00773402831030000	Battery package welds	1	
48	1040004511	Bolt M12×30-8.8	4	GB/T5783
49	1040302492	Washer 16-200HV	4	GB/T97.1
50	1040004570	Bolt M16×30-8.8	4	GB/T5783
51	00773402820001160	Rear tank- lower cover	2	
52	1040301511	Washer 24-200HV	2	GB/T97.1
53	1089900652	Sealing strip	7	
54	1990300401	U-SHAPE TAPE	1	
55	204060296	Great Wall Vehicle gear oil	4	

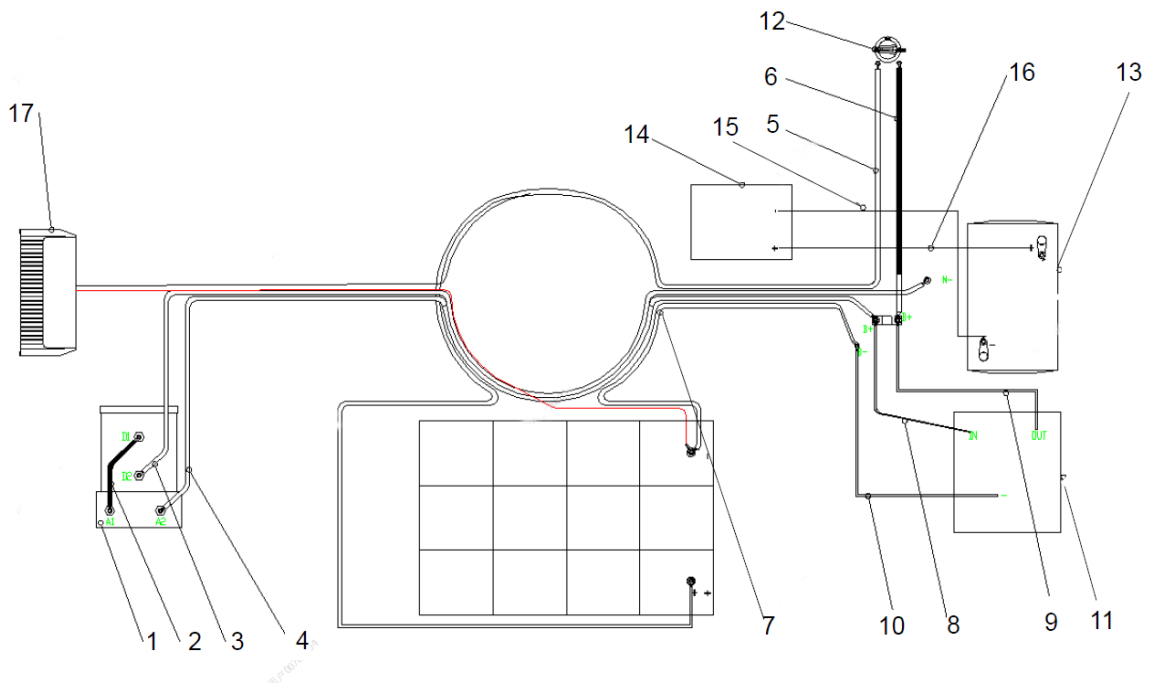
ZOOMLION

高空作业平台零部件图册

第五章 动力系统



Power System Assembly 00773406250450000



Power System Assembly 00773406250450000

No.	Material No.	Item and Spec	Unit	Note
1	1020005380	DC motor	1	
2	00773406230450090	Functional pump-D1 to 与 A1 wiring	1	
3	00773406230450070	Functional pump- driver M to functional pump D2	1	
4	00773406230450060	Functional pump- driver B+ to functional pump A2	1	
5	00773406230450100	Battery positive pole to manual switch wiring	1	
6	00773406230450110	Manual switch to wire spool positive pole wiring	1	
7	00773406230450120	Battery negative pole to wire spool negative pole	1	
8	00773406230450130	Left spool B + to brake IN	1	
9	00773406230450140	Brake OUT to spool B + -right wiring	1	
10	00773406230450150	Spool B - to brake negative pole	1	
11	/	Brake	1	
12	1029900667	Main power switch (rotary knob)	1	
13	/	Auxiliary power	1	
14	/	Emergency pump	1	
15	00773406230450170	Emergency pump negative pole to auxiliary pump negative pole	1	
16	00773406230450160	Emergency battery positive pole to auxiliary pump positive pump	1	
17	/	Charger	1	

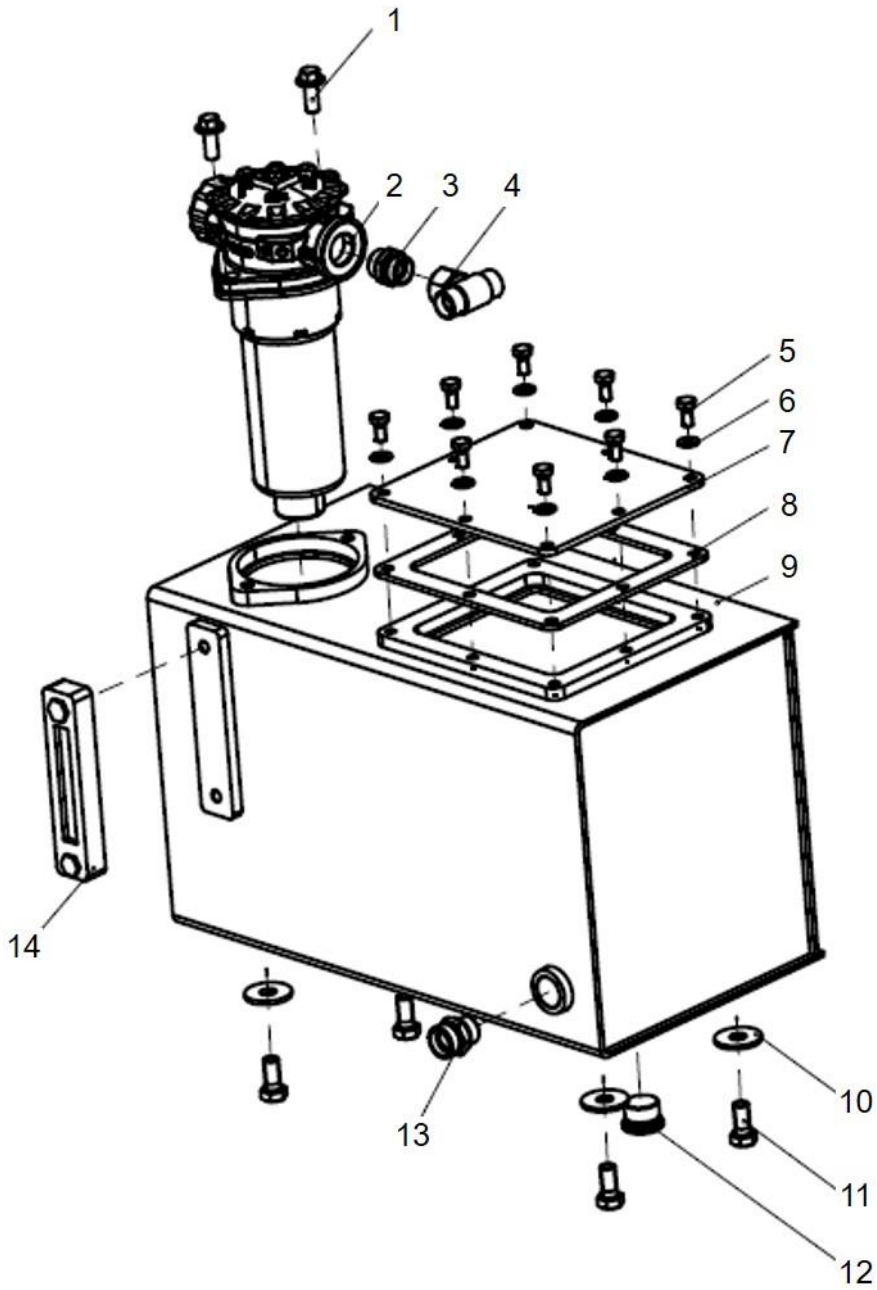
ZOOMLION

高空作业平台零部件图册

第六章 液压系统



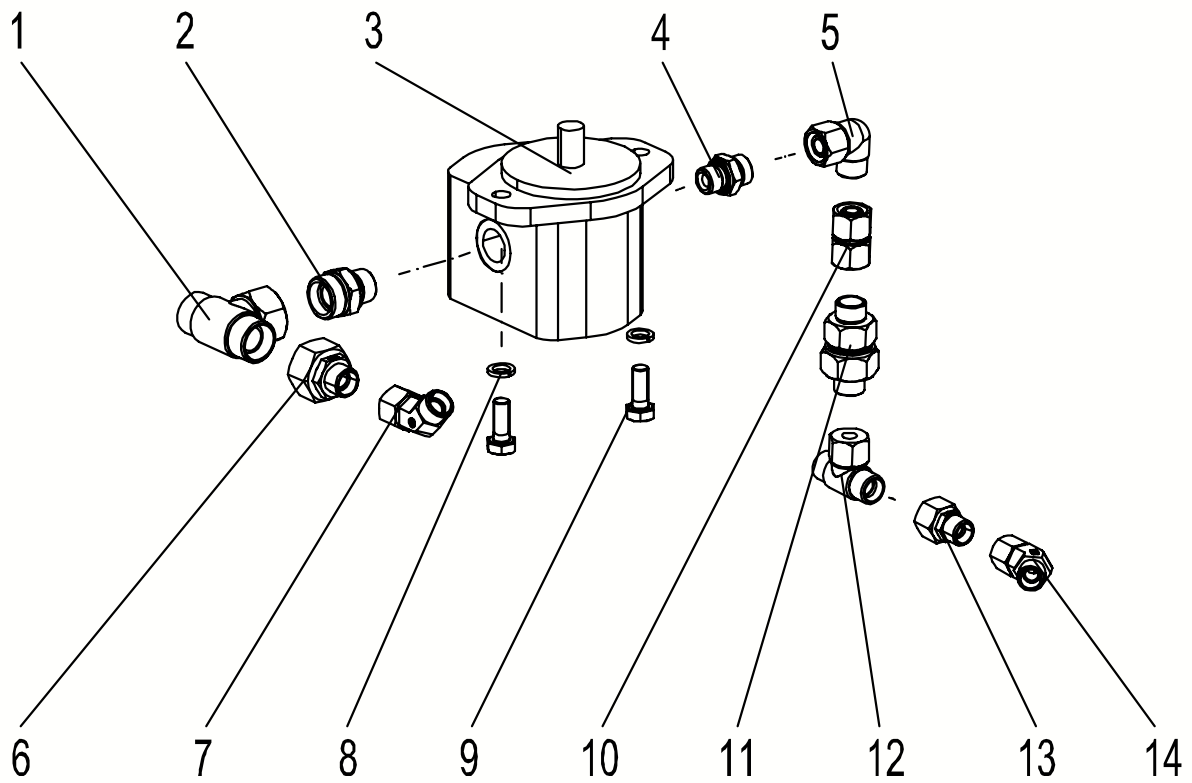
Hydraulic Tank Assembly 00773405210200000



Hydraulic Tank Assembly 00773405210200000

No.	Material No.	Item and Spec	Unit	Note
1	1040005851	Screw M10×25-8.8	2	GB/T5787
2	1010601202	Return-oil filter	1	
3	1140107825	Male stud connector	1	
4	1140101484	T-junction	1	
5	1040004517	Bolt M8×16-8.8	8	GB/T5783
6	1040301515	Washer 8	8	GB/T97.1
7	00773405210220000	Window cover	1	
8	00773405210230000	Sealing plate	1	
9	00773405210210000	Fuel tank	1	
10	1040302821	Washer 12	4	GB/T96.1
11	1040002436	Bolt M12×25-8.8	4	GB/T5783
12	1140101628	Plug screw	1	
13	1140101466	Male stud connector	1	
14	1019901470	Liquid level indicator	1	

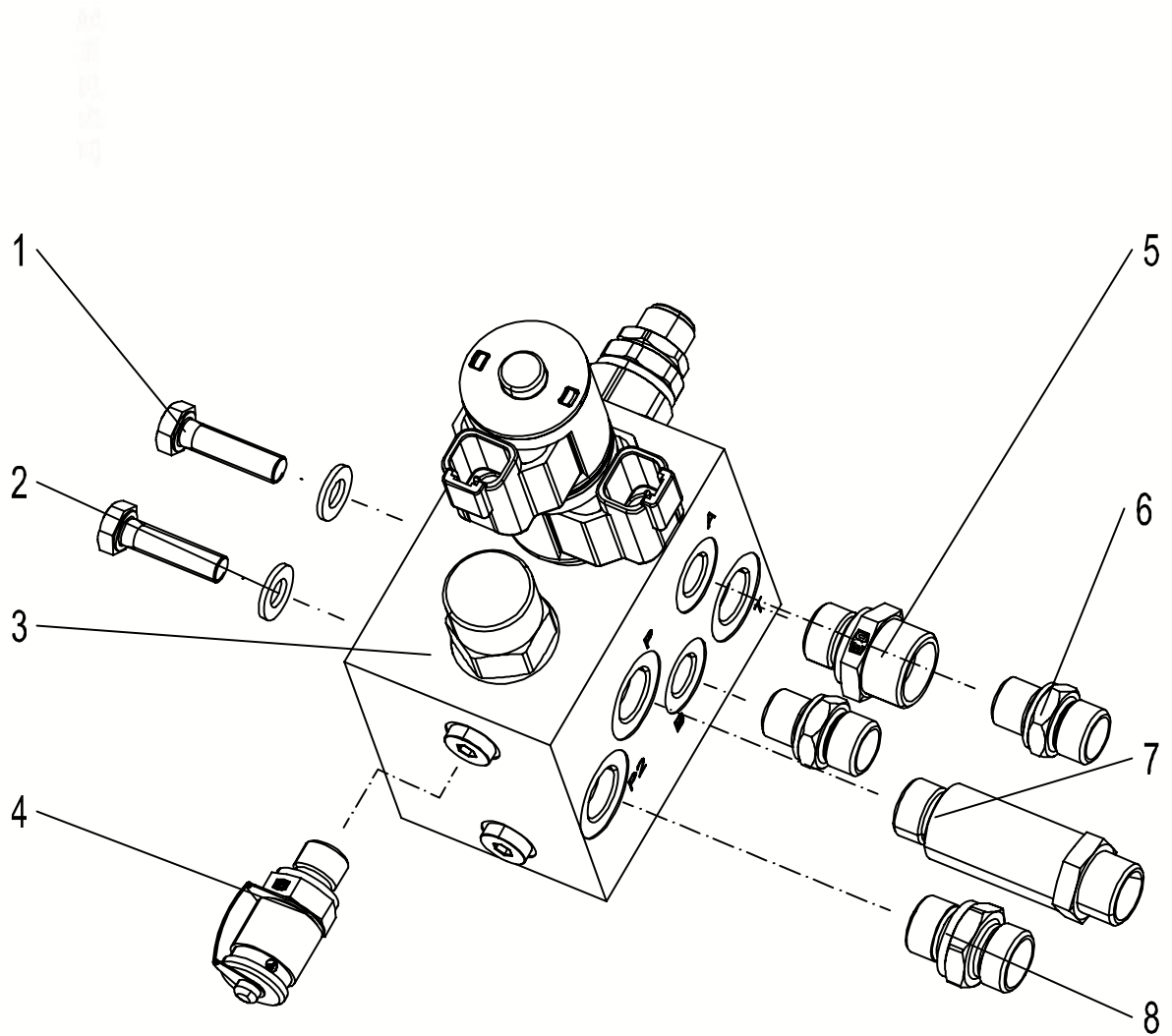
Hydraulic Pump Assembly 00773405250400000



Hydraulic Pump Assembly 00773405250400000

No.	Material No.	Item and Spec	Unit	Note
1	1140101485	T-junction	1	
2	1140114034	Hydraulic pipe joint	1	
3	1010002078	Gear pump	1	
4	1140114035	Hydraulic pipe joint	1	
5	1140101477	Tube to swivel	1	
6	1140111252	Reducer union	1	
7	1140113796	Build-up joint	1	
8	1040301502	Washer	2	GB/T93
9	1040002434	Bolt	2	GB/T5783
10	1140101827	Build-up joint	1	
11	1010300748	Non return valve	1	
12	1140101483	T-junction	1	
13	1140111483	Reducer union	1	
14	1140115016	45°Build-up joint	1	

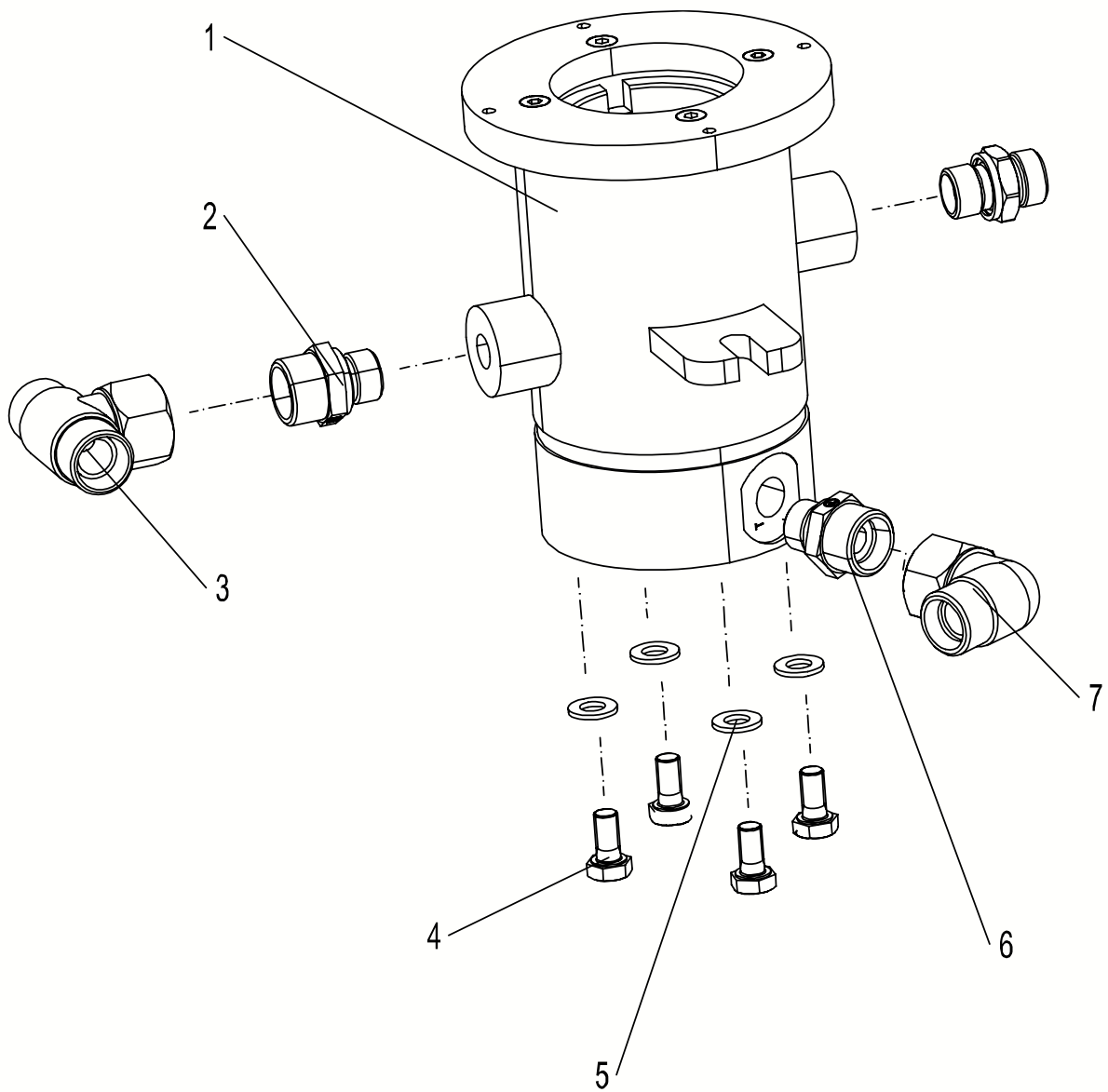
Steering Priority Valve Assembly 0077340521500000



Steering Priority Valve Assembly 0077340521500000

No.	Material No.	Item and Spec	Unit	Note
1	1040004520	Bolt	2	GB/T5783
2	1040301515	Washer 8	2	GB/T97.1
3	1010307351	Steering Priority Valve	1	
4	1140114187	Test joint	1	
5	1140101465	Male stud connector	1	
6	1140101461	Male stud connector	2	
7	1140115620	Long male stud connector	1	
8	1140114036	Hydraulic pipe joint	1	

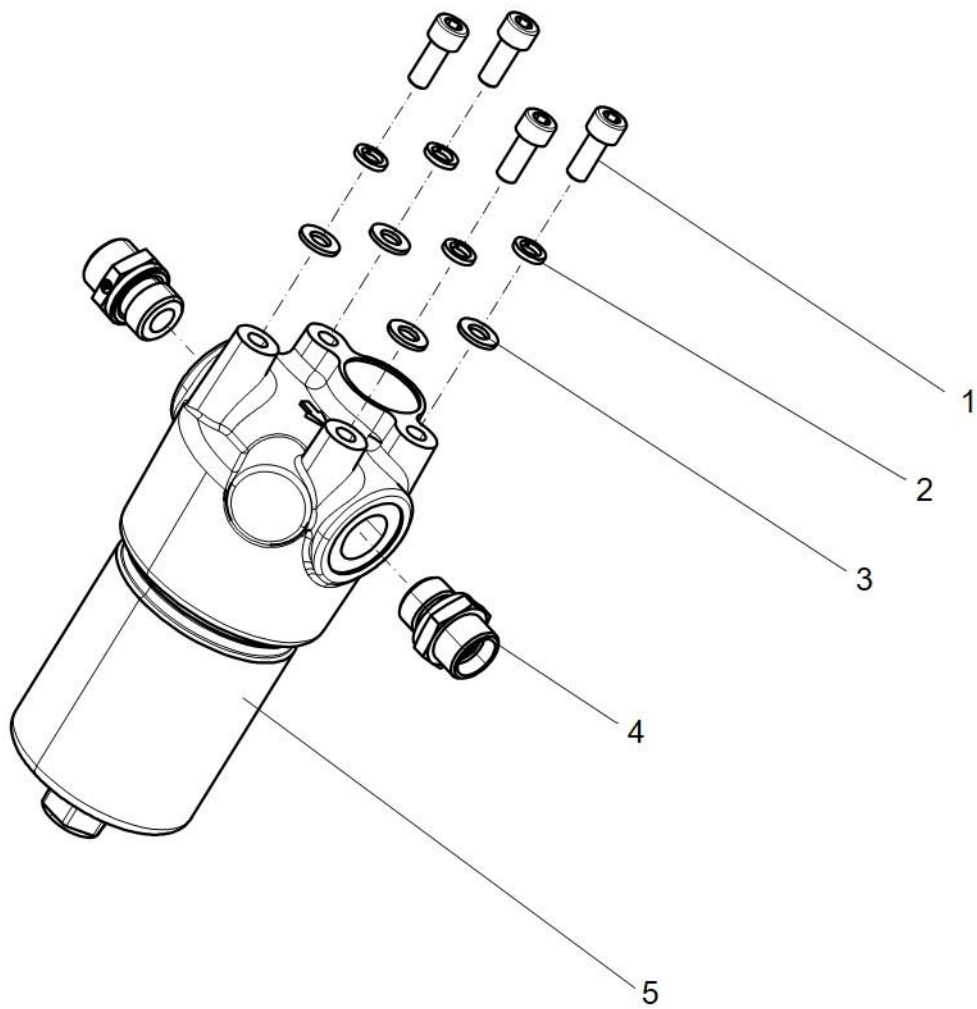
Central Revolving Joint Assembly 0077340521080000



Central Revolving Joint Assembly 00773405210800000

No.	Material No.	Item and Spec	Unit	Note
1	1011200181	Central revolving joint	1	
2	1140101465	Male stud connector	2	
3	1140101484	T-junction	1	
4	1040004517	BoltM8×16-8.8	4	GB/T5783
5	1040301515	Washer 8	4	GB/T97.1
6	1140114036	Male stud connector	2	
7	1140101478	Tube to swivel	1	

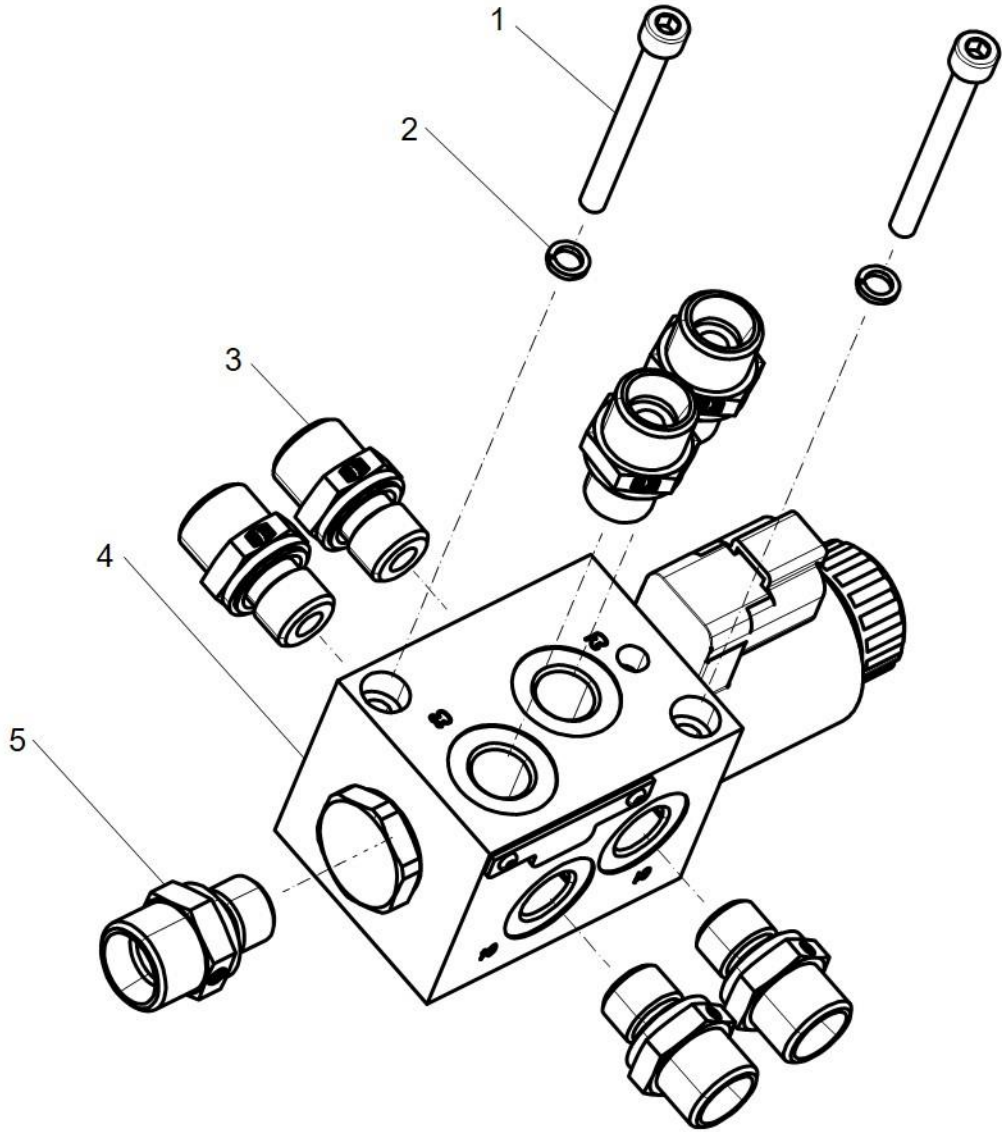
High Pressure Filter Assembly 0077340521100000



High Pressure Filter Assembly 0077340521100000

No.	Material No.	Item and Spec	Unit	Note
1	1040100069	Screw M8×20-8.8	4	GB/T70.1
2	1040301510	Washer 8	4	GB/T93
3	1040301515	Washer 8-200HV	4	GB/T97.1
4	1140107481	Male stud connector	2	
5	1010601138	High pressure filter	1	

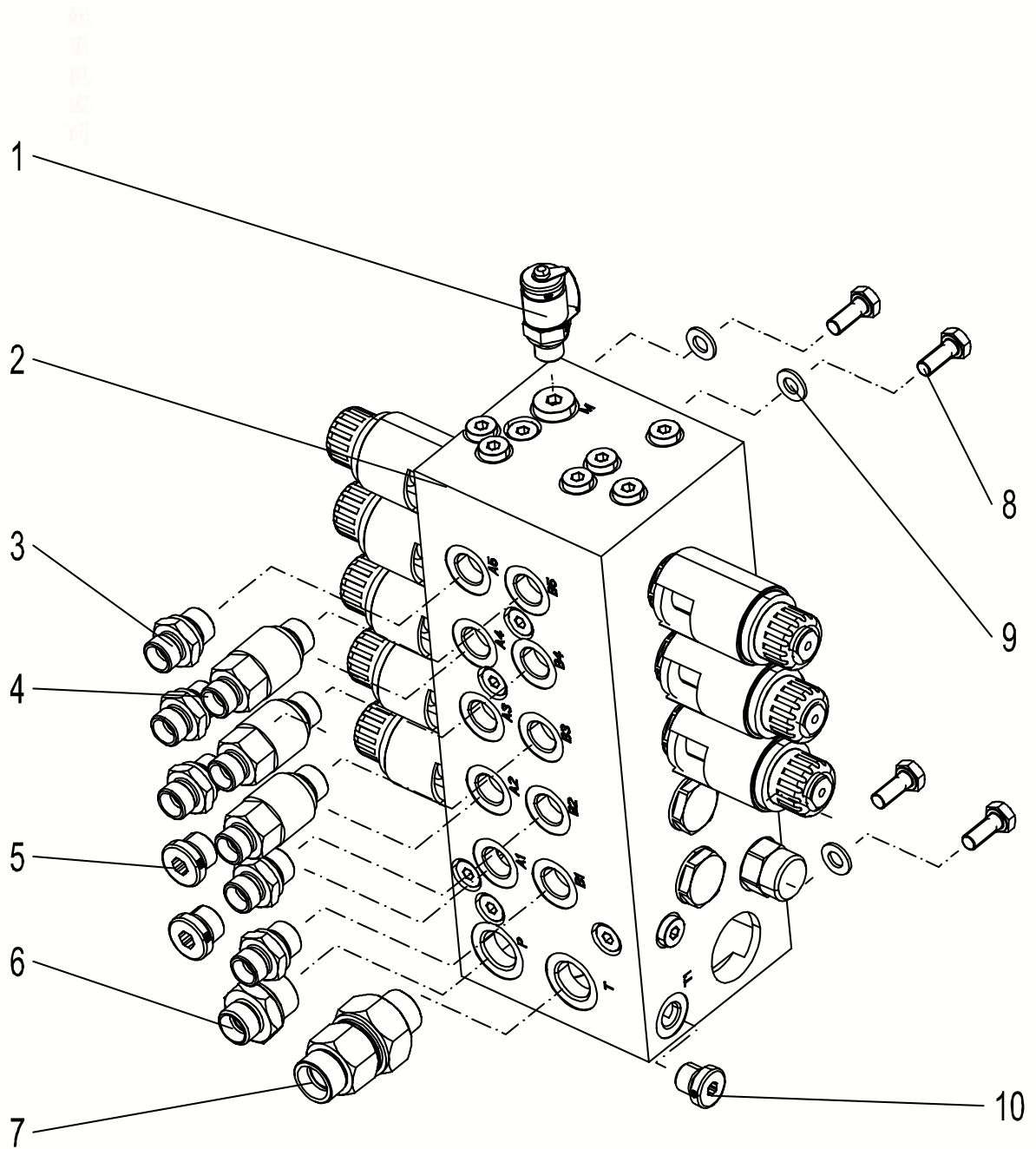
Platform Select-valve Assembly 00773405211200000



Platform Select-valve Assembly 00773405211200000

No.	Material No.	Item and Spec	Unit	Note
1	1040102777	Screw M4×50-8.8	2	GB/T70.1
2	1040300060	Washer 5	2	GB/T93
3	1140101461	Male stud connector	6	
4	1010306226	Direction valve	1	
5	1019807649	Check valve	1	

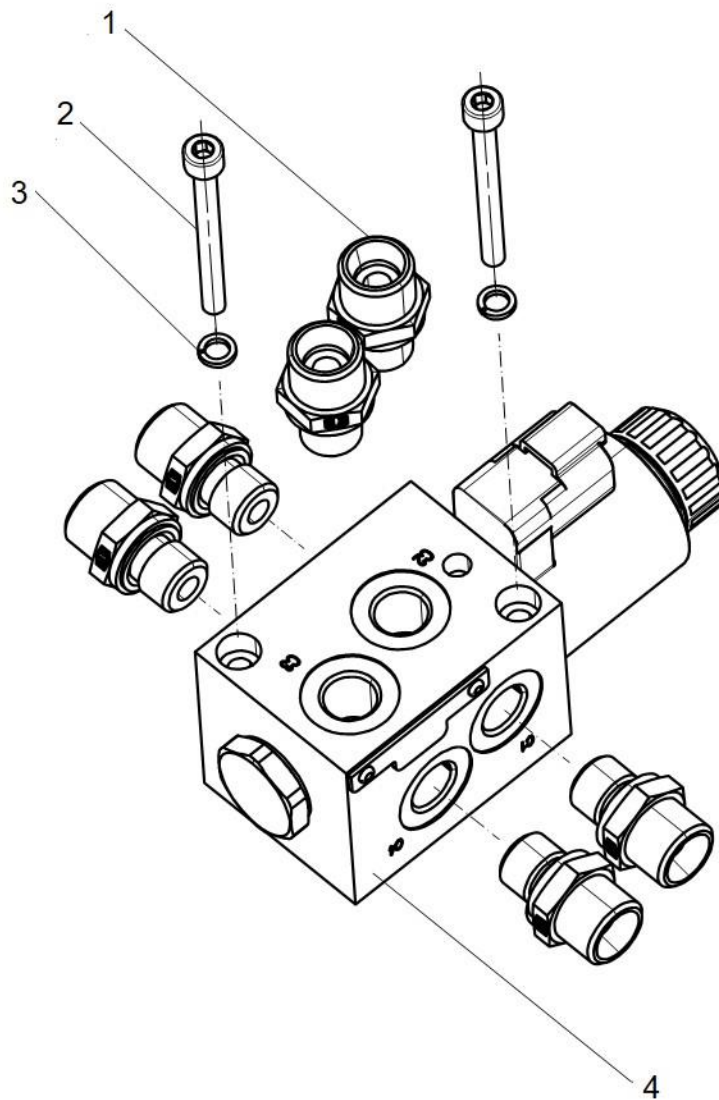
Main Valve Assembly 00773405251600000



Main Valve Assembly 00773405251600000

No.	Material No.	Item and Spec	Unit	Note
1	1140114187	Test joint	1	
2	1010308361	Main valve	1	
3	1140114040	Male stud connector	5	
4	1140114625	Male stud connector	3	
5	1140101629	Plug screw	2	
6	1140101463	Male stud connector	1	
7	1010302829	Non return valve	1	
8	1040004518	BoltM8×20-8.8	4	GB/T5783
9	1040301515	Washer 8	4	GB/T97.1
8	1019900975	Plug	1	

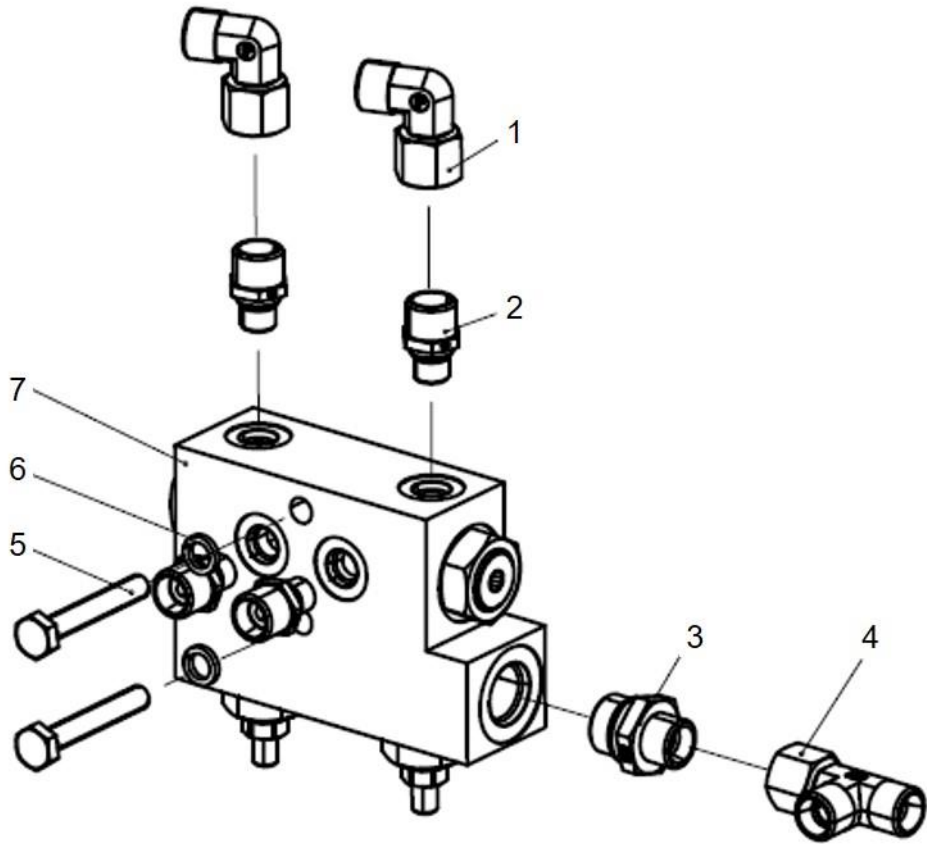
Telescopic Select-valve Assembly 00773405212400000



Telescopic Select-valve Assembly 00773405212400000

No.	Material No.	Item and Spec	Unit	Note
1	1140101461	Male stud connector	6	
2	1040103107	Screw M5×45-8.8	2	GB/T70.1
3	1040300060	Washer 5	2	GB/T93
4	1010306016	Platform select-valve	1	

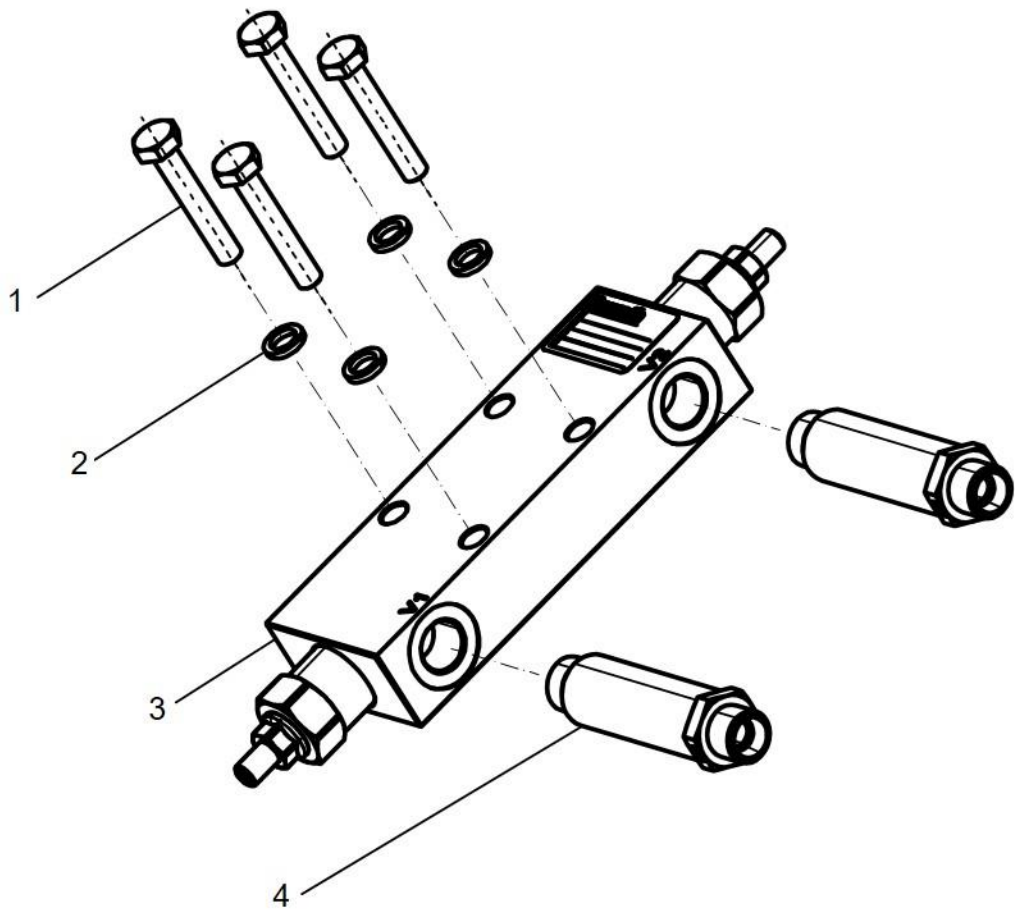
Lower Leveling Cylinder CBV Assembly 0077340521280000



Lower Leveling Cylinder CBV Assembly 00773405212800000

No.	Material No.	Item and Spec	Unit	Note
1	1140101476	Tube to swivel	2	
2	1140112827	Male stud connector	4	
3	1140112820	Male stud connector	1	
4	1140114046	T-junction	1	
5	1040004522	BoltM8×50-8.8	2	GB/T5783
6	1040301510	Washer 8	2	GB/T93
7	1010306368	Cylinder control valve	1	

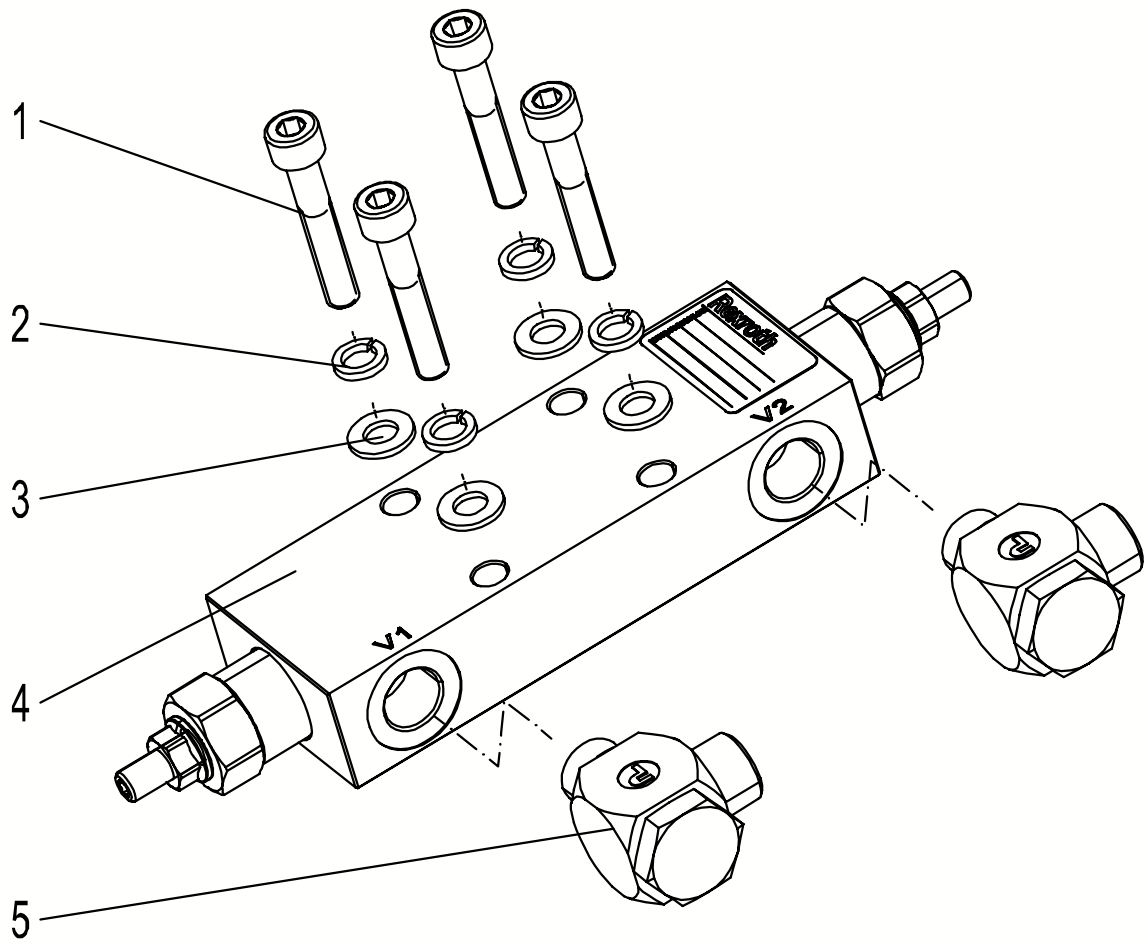
Upper Leveling Cylinder CBV Assembly 0077340521300000



Upper Leveling Cylinder CBV Assembly 00773405213000000

No.	Material No.	Item and Spec	Unit	Note
1	1040004521	BoltM8×45-8.8	4	GB/T5783
2	1040301510	Washer 8	4	GB/T93
3	1010306020	CBV	1	
4	1140114624	Male stud connector	2	

Jib Cylinder CBV Assembly 0077340521320000

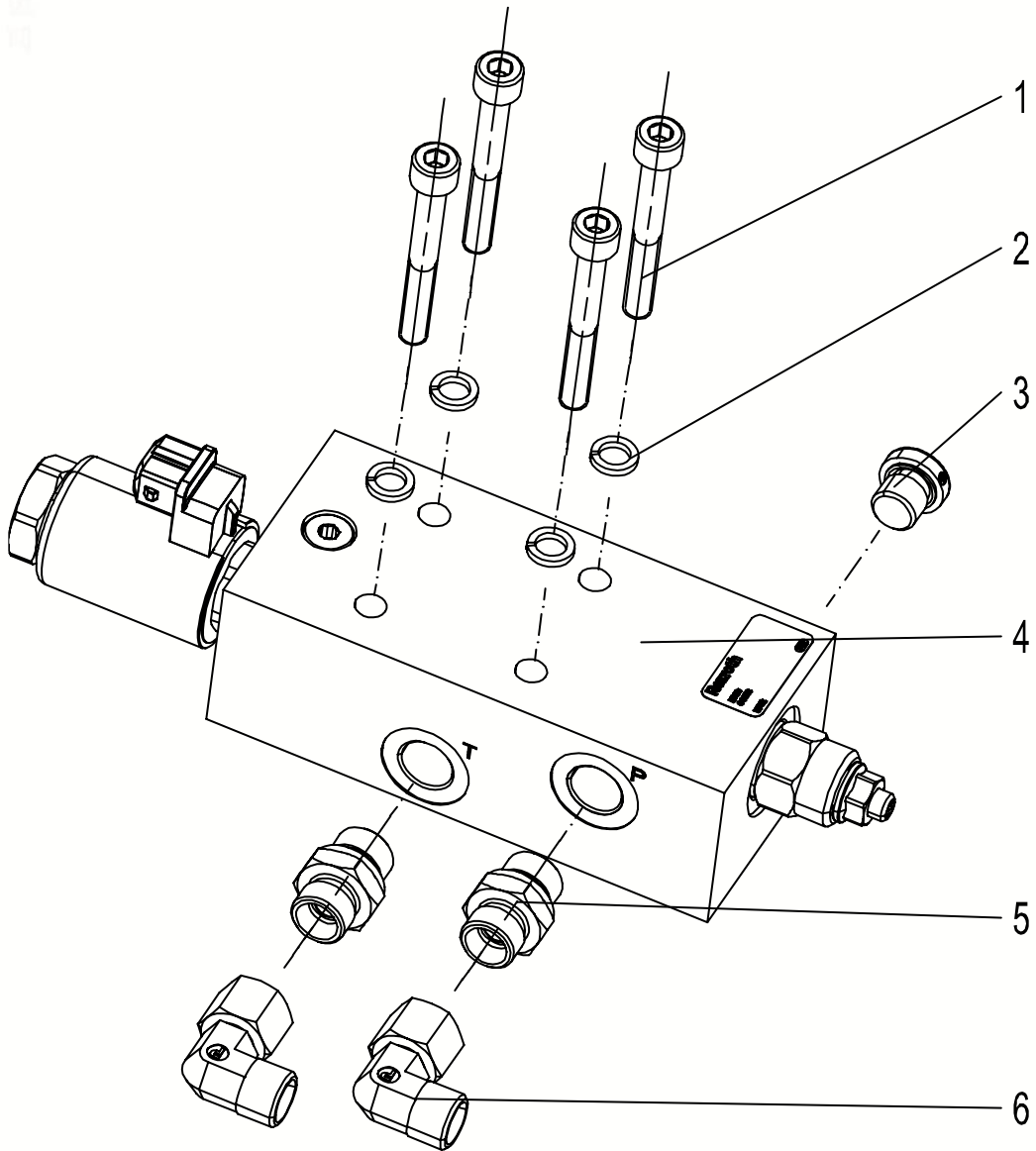


Jib Cylinder CBV Assembly 00773405213200000

No.	Material No.	Item and Spec	Unit	Note
1	1040100148	Screw M8×45-8.8	4	GB/T5783
2	1040301510	Washer 8	4	GB/T93
3	1040301515	Washer	4	GB/T97.1
4	1010306020	CBV	1	
5	1140114839	High pressure articulating joint	2	

Main Boom Cylinder CBV Assembly 00773405253400000

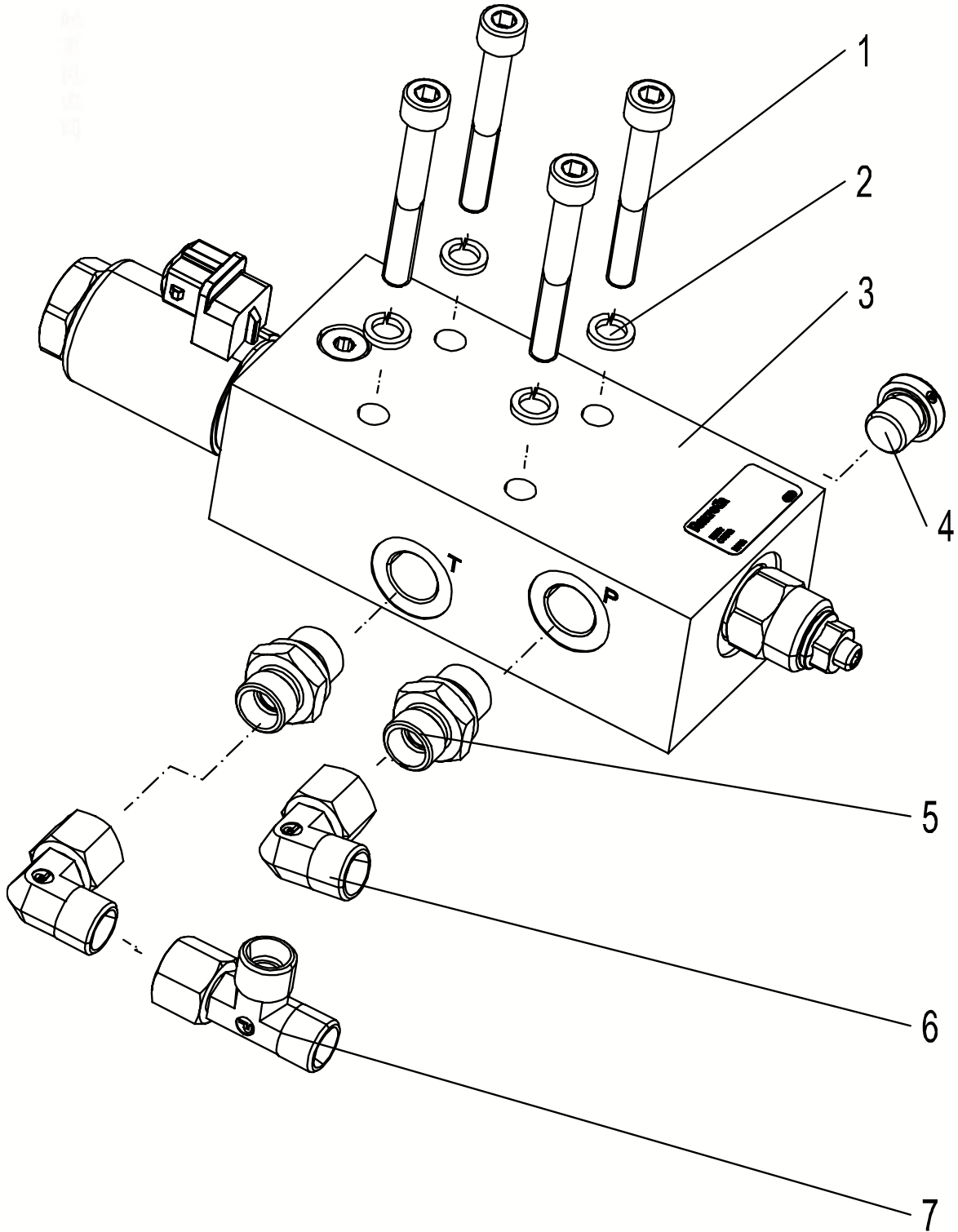
液
压
系
统



Main Boom Cylinder CBV Assembly 00773405253400000

No.	Material No.	Item and Spec	Unit	Note
1	1040102739	Screw M8×60-8.8	4	GB/T70.1
2	1040301510	Washer 8	4	GB/T93
3	1019900975	Plug	1	
4	1010306616	Lifting CBV	1	
5	1140101476	Tube to swivel	2	
6	1140114040	Male stud connector	2	

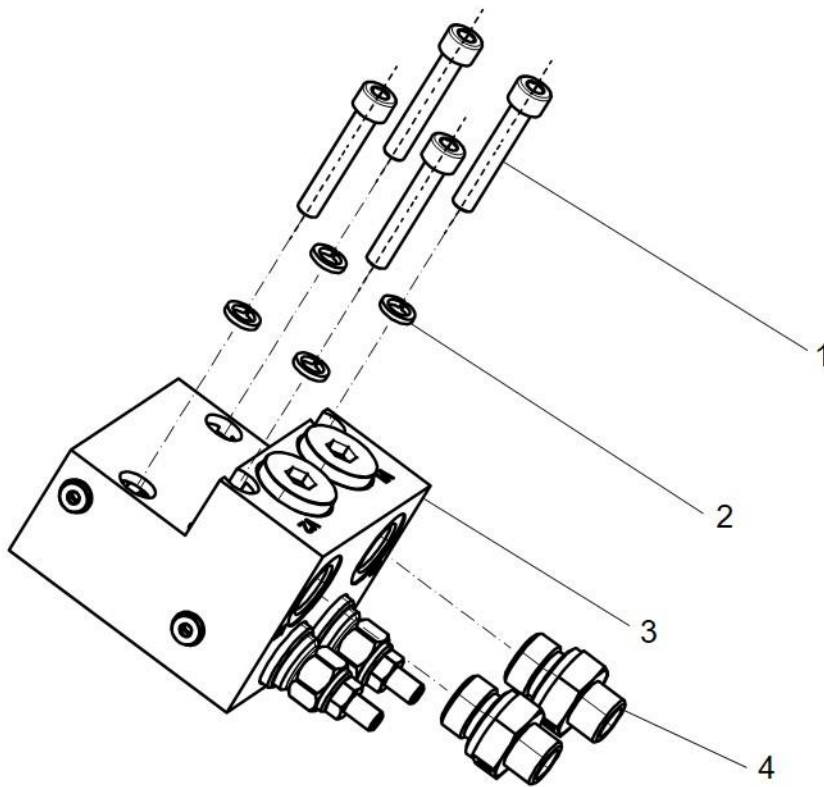
Tower Boom Cylinder CBV Assembly 0077340525360000



Tower Boom Cylinder CBV Assembly 00773405253600000

No.	Material No.	Item and Spec	Unit	Note
1	1040102739	Screw M8×60-8.8	4	GB/T70.1
2	1040301510	Washer 8	4	GB/T93
3	1010306616	Lifting CBV	1	
4	1019900975	Plug	1	
5	1140114040	Male stud connector	2	
6	1140101476	Tube to swivel	3	
7	1140114046	T-junction	2	

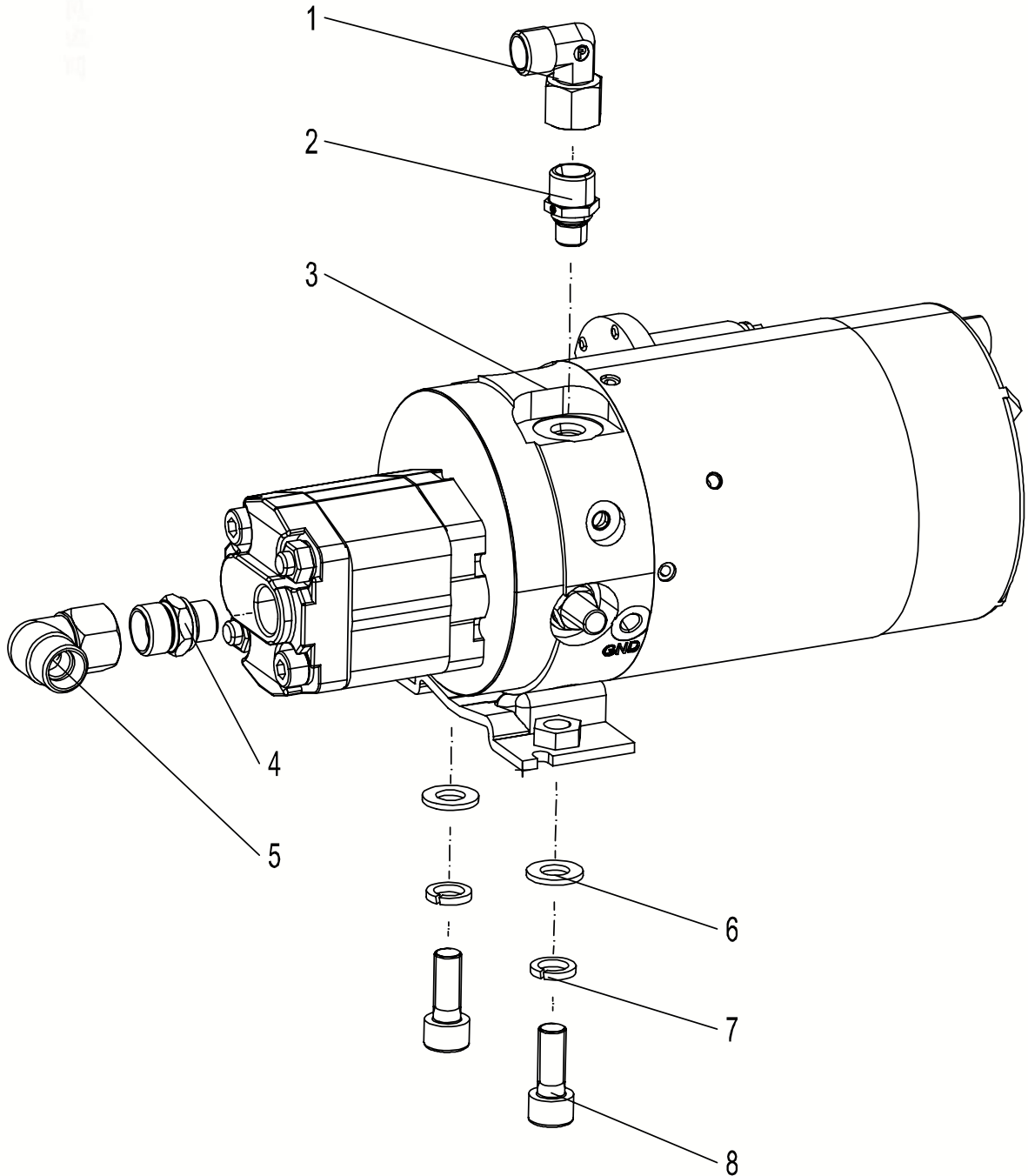
Telescopic Cylinder CBV Assembly 0077340521380000



Telescopic Cylinder CBV Assembly 00773405213800000

No.	Material No.	Item and Spec	Unit	Note
1	1040100148	Screw M8×45-8.8	4	GB/T70.1
2	1040301510	Washer 8	4	GB/T93
3	1010306060	Telescopic CBV	1	
4	1140102936	Male stud connector	2	

Emergency Pump Assembly 00773405255200000



Emergency Pump Assembly 00773405255200000

No.	Material No.	Item and Spec	Unit	Note
1	1140101476	Tube to swivel	1	
2	1140112827	Male stud connector	1	
3	1010002361	Emergency pump	1	
4	1140103405	Male stud connector	1	
5	1140101477	Tube to swivel	1	
6	1040302489	Washer	2	GB/T97.1
7	1040301502	Washer	2	GB/T93
8	1040101492	Screw	2	GB/T70.1

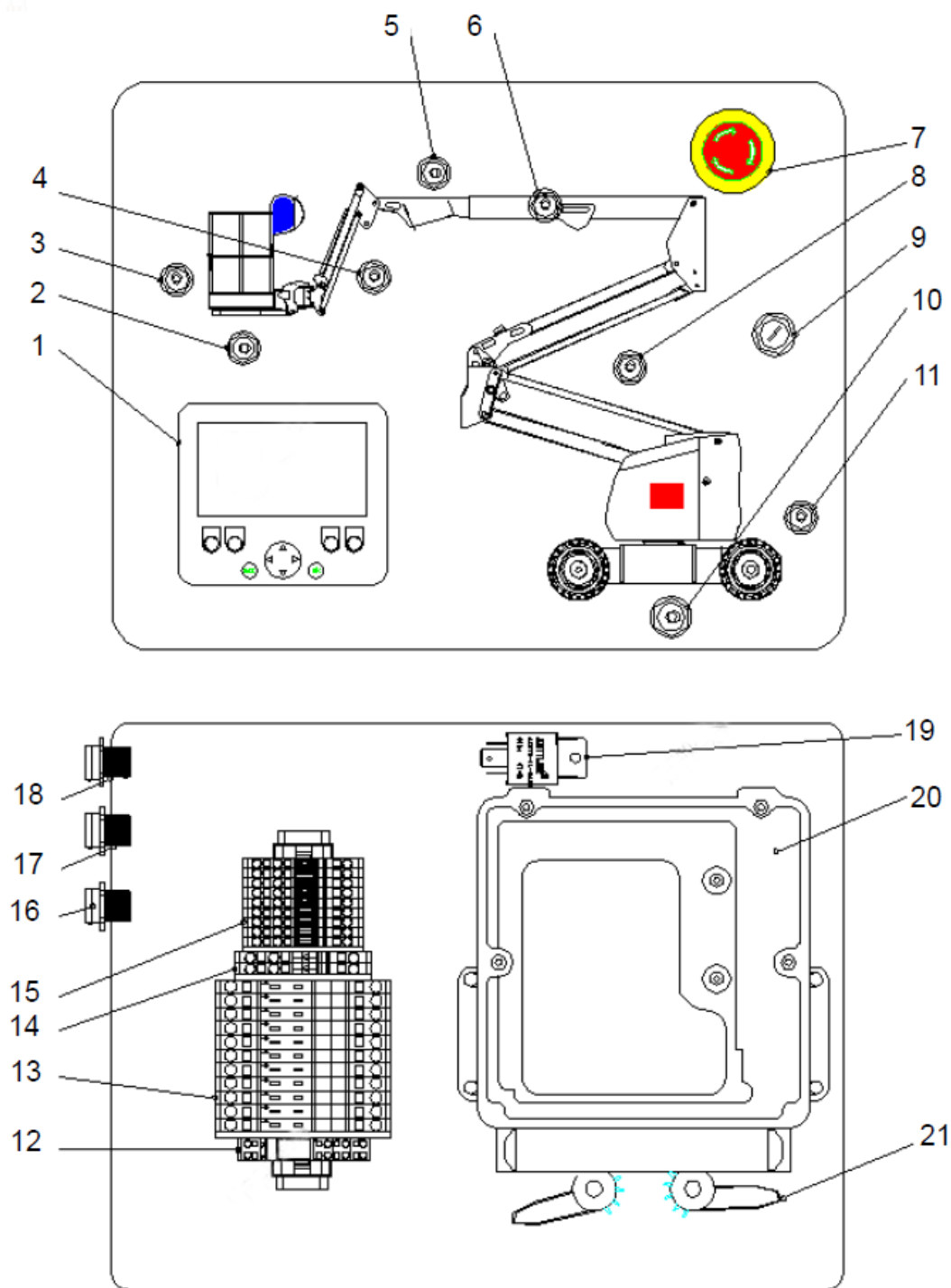
ZOOMLION

高空作业平台零部件图册

第七章 电气系统



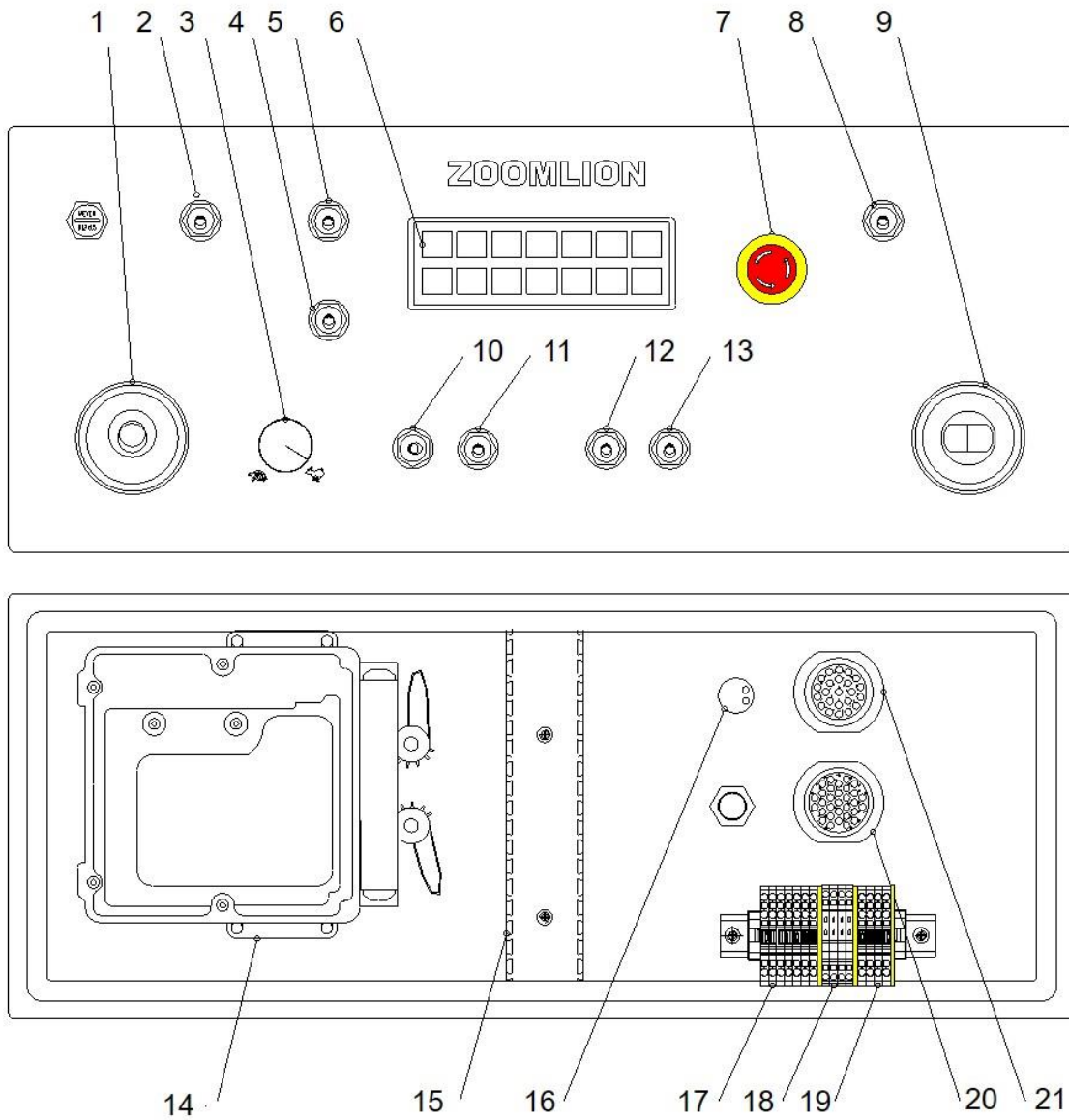
Turntable Electrical Control Box Assembly 00773406230220001



Turntable Electrical Control Box Assembly 00773406230220001

No.	Material No.	Item and Spec	Unit	Note
1	1020201651	Display	1	
2	1020520084	Toggle switch	1	Platform rotating
3	1020520084	Toggle switch	1	Platform leveling
4	1020520084	Toggle switch	1	Jib lifting
5	1020520084	Toggle switch	1	Boom telescoping
6	1020520084	Toggle switch	1	Boom lifting
7	1020519658	Emergency button	1	Emergency stop switch
	1020509007	Button seat	1	
8	1020520084	Toggle switch	1	Tower boom lifting
9	1020520943	Key switch	1	
10	1020520084	Toggle switch	1	Turntable rotary
11	1020520084	Toggle switch	1	Emergency power and enables
12	1020304559	Relay	1	Light relay
13	1020604934	Terminal blocks	11	
14	1020705826	Diode terminal	2	
15	1029904980	Terminal blocks	11	
16	1029902634	32-core sheath	1	Boom Electric Cables
17	1029903317	48-core sheath	1	Turntable Electric Cables
18	1029902634	32-core sheath	1	Turntable Electric Cables
19	1020304584	Power relay	1	
20	1020103903	Controller	1	
	1020103955	Connectors	1	

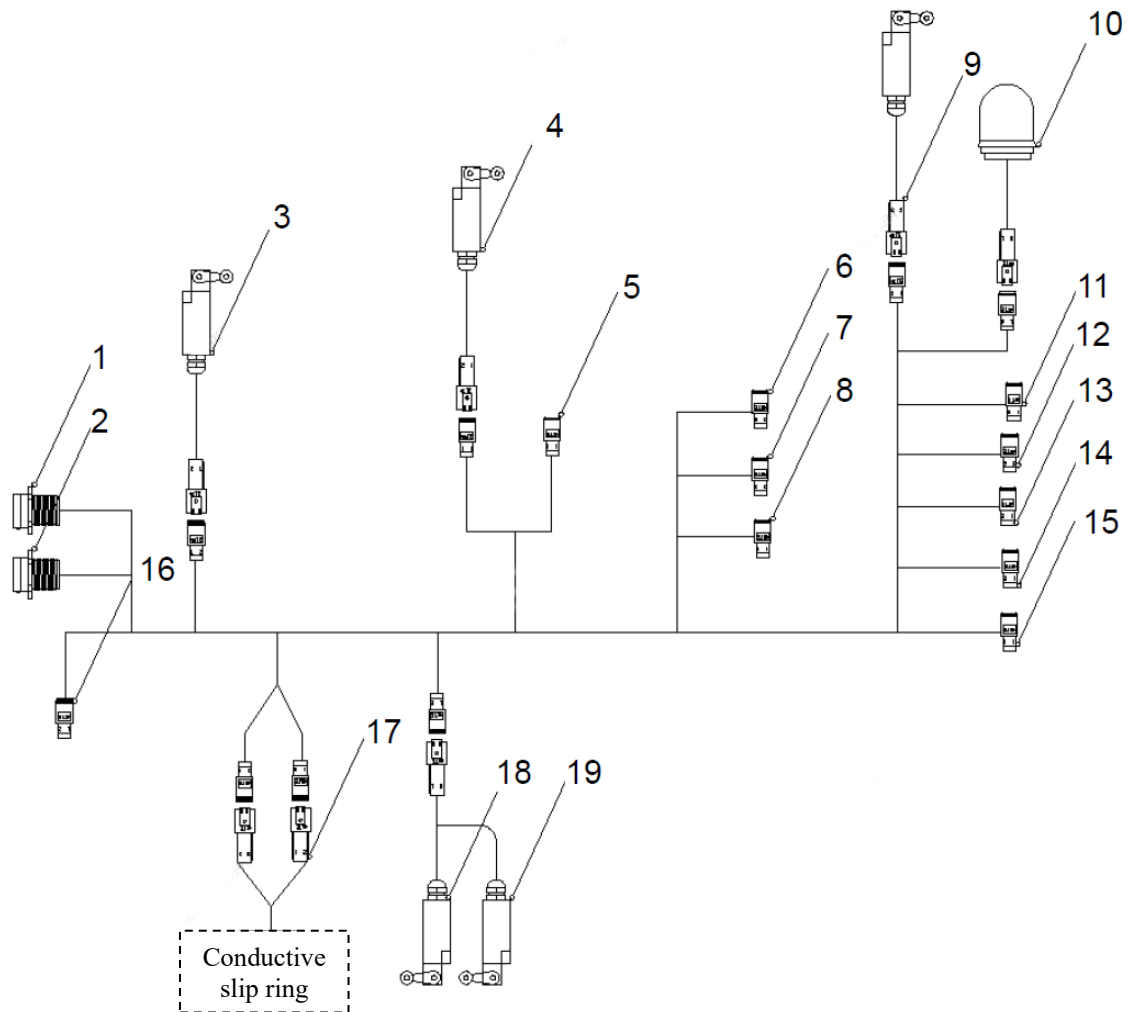
Platform Electrical Control Box Assembly 00773406230210000



Platform Electrical Control Box Assembly 00773406230210000

No.	Material No.	Item and Spec	Unit	Note
1	1020520994	Joystick	1	
2	1020520083	Toggle switch	1	Driving orienteering
3	1020520995	Potentiometer	1	
4	1020520136	Toggle switch	1	Light
5	1020520135	Toggle switch	1	Travel speed control
6	1020405061	Indicator panel	1	
7	1020519658	Emergency button	1	
	1020509007	Button seat	1	
8	1020520135	Toggle switch	1	Platform leveling control
9	1020520993	Joystick	1	
10	1020520084	Toggle switch	1	Platform rotary switch
11	1020520084	Toggle switch	1	Jib lifting switch
12	1020520084	Toggle switch	1	Tower boom lifting
13	1020520084	Toggle switch	1	Jib telescoping
14	1020103903	controller	1	
	1020103955	Connectors	1	
15	1022399012	Wiring duct	1	
16	1020404405	Flashing buzzer	1	
17	1029904980	Terminal	7	
18	1029905392	Terminal	4	
19	1020704265	Grounding terminal board	4	
20	1020703394	Deutsch connector	1	Chain electric cables
21	1020703393	Round plug connector	1	Platform Electric Cables

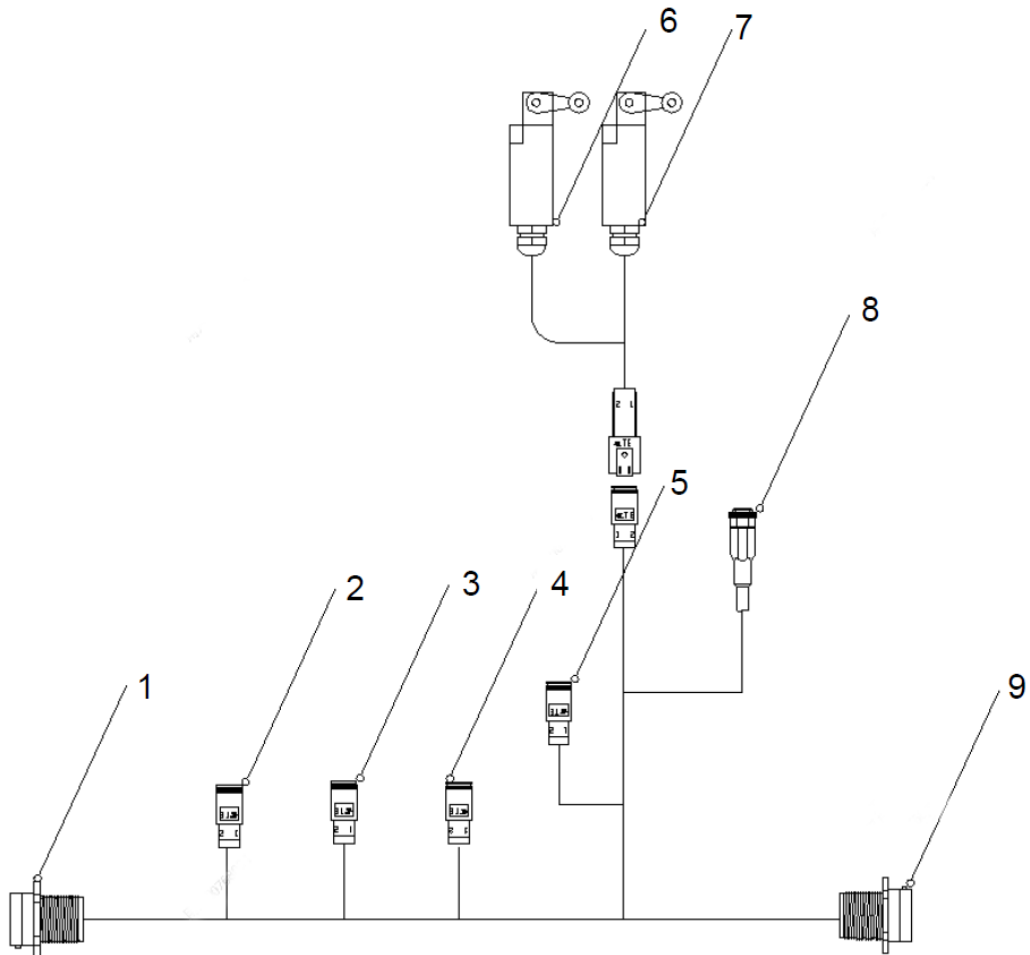
Turntable Electric Cables 00773406230230011



Turntable Electric Cables 00773406230230011

No.	Material No.	Item and Spec	Unit	Note
1	1029903316	sheath	1	Turntable electric control box
	1029902632	Terminal	44	
2	1029902635	sheath	1	Turntable electric control box
	1029902630	Terminal	2	
3	1020703394	Limit switch- tower boom stowed 1	1	Boom Electric Cables
4	1020703394	Limit switch- tower boom stowed 2		
5	1020304982	Alarm buzzer		
6	1020700951	/	1	Reversing valve 1- Jib rotary
7	1020700951	/	1	Turntable right-turn valve
8	1020700951	/	1	Reversing valve 2- expanding and leveling
9	1020703394		1	Lift switch-tower boom lifting
10	1020404399			Work alarm light
11	1020700951	/	1	Reversing valve 1- Jib rotary
12	1020700951	/	1	Turntable left-turn valve
13	1020700951	/	1	Reversing valve 1- expanding and leveling
14	1020700951	/	1	Lifting valve-main boom
15	1020700951	/	1	Lifting valve-tower boom
16	1020700951		1	Work light
17	1020703391	sheath	1	Plug-in slip ring 1
	1020700957	sheath	1	Plug-in
	1020700440	sheath	1	Plug-in slip ring 2
	1020700942	sheath	1	Plug-in
18	1020516032	Limit switch (outside)- steering angle	1	
19	1020516032	Limit switch (inside)- steering angle	1	

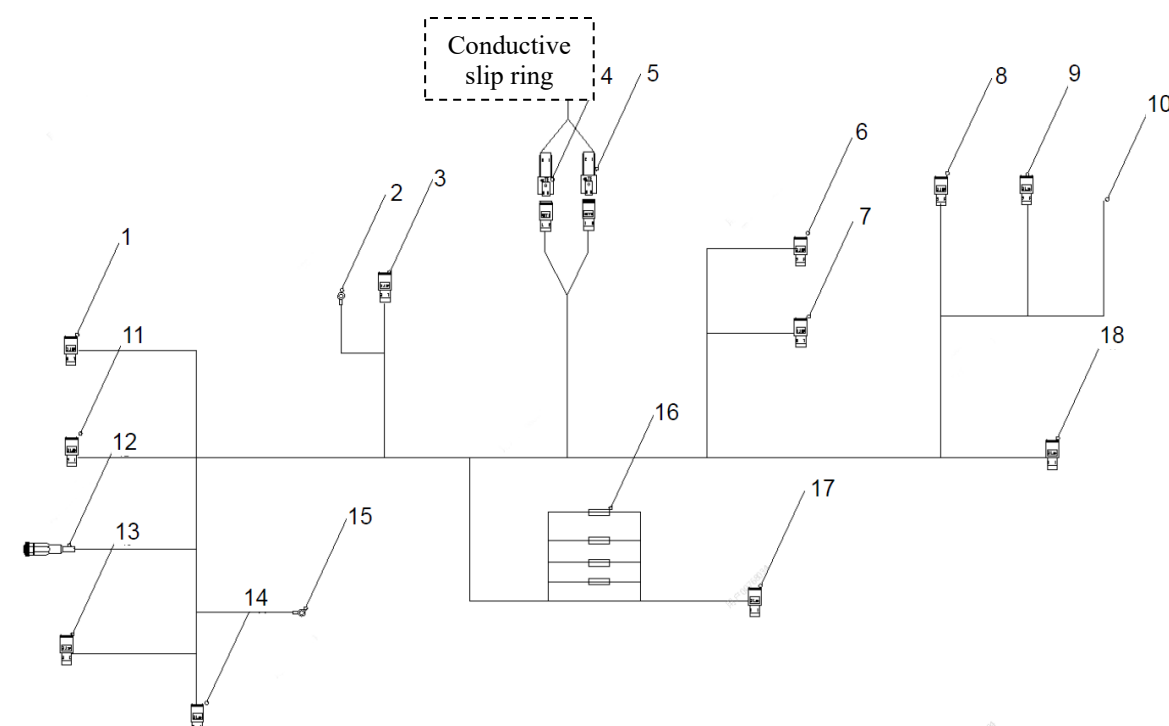
Boom Electric Cables 00773406230230031



Boom Electric Cables 00773406230230031

No.	Material No.	Item and Spec	Unit	Note
1	1022270089	Plug connector	1	Turntable electric control box
2	1020700951	Speed control valve- tower boom lowering	1	
3	1020700951	Telescopic leveling selection valve	1	
4	1020700951	Speed control valve- main boom lowering	1	
5	1020700540	Terminal resistance	1	
6	1020516032	Boom length limit switch 1	1	
7	1020516032	Boom length limit switch 2	1	
8	1021404019	Boom angle sensor	1	
9	1020706505	Plug connector	1	Chain cables

Chassis Electric Cables 00773406250420000

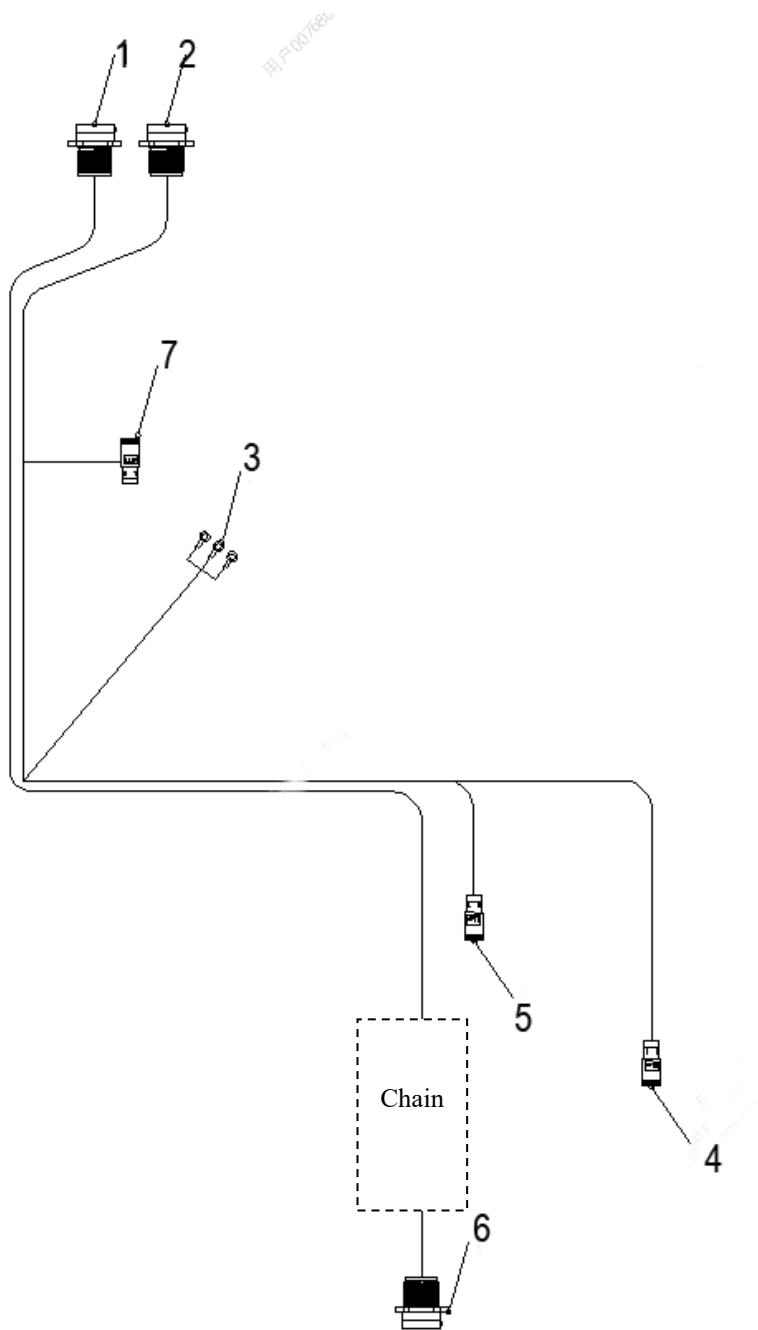


Chassis Electric Cables 00773406230420000

No.	Material No.	Item and Spec	Unit	Note
1	1021404018	12V socket	1	
2	1020700957	B +	1	
3	1020702062	Li-ion battery communication	1	
4	1020703391	sheath	1	Plug-in slip ring 1
	1020700957	sheath	1	Plug-in
5	1020700440	sheath	1	Plug-in slip ring 2
	1020700942	sheath	1	Plug-in
6	1029900318	sheath	1	Left-turn valve
7	1029900318	sheath	1	Right-turn valve
8	1020700951	sheath	1	Charger
9	1020700953	sheath	1	Charger communication
10	/	Bare wire insulation treatment	1	/
11	1020700957	sheath	1	48V socket
12	1021404019	sheath	1	Frame angle sensor
13	1020103232	sheath	1	Break
14	1020700440	sheath	1	Negative or positive of power source
15	/	OT Terminal	1	Auxiliary pump relay
16	/	Fuse	4	Fuse
17	1022259178	sheath	1	Battery diagnosis
18	1029900385	sheath	1	Steering angle sensor

Platform Electric Cables 00773406230440000

Chain Cables Change 00773406230610000



Platform Electric Cables 00773406230440000
Chain Cables Change 00773406230610000

No.	Material No.	Item and Spec	Unit	Note
1	1029903711	sheath	1	Upper plug-in of chain
2	1022200446	sheath	1	Platform plug connector
3	1020521022	Footswitch	1	
4	1020700951	sheath	1	Jib lifting selection valve
5	1021404016	Load cell	1	
6	1029903711	sheath	1	Lower plug-in of chain
7	1020700955	sheath	1	Anti-extrusion switch